



BRAKE DISC PAINTED

09.9508.11

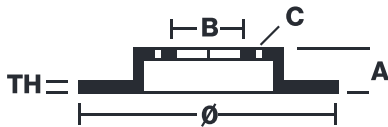
The 09.9508.11 painted brake disc is synonymous with reliability

The Brembo brake disc with special UV paint treatment guarantees superior corrosion resistance for the product, thanks to the protective coating on the outer edges and on the disc hub. The UV paint not only gives the disc a clean, shiny appearance but is also beneficial for the environment as the water-based UV paint treatment does not require the use of chemical solvents and is a low energy consumption process.

- ✓ OE-equivalent
- ✓ Brembo quality
- ✓ ECE-R90 certificate
- ✓ Safety
- ✓ High carbon
- ✓ Anti-corrosion
- ✓ PVT ventilation
- ✓ Fastening screws



Technical specifications



EAN code
8020584210147

Axle
Front

Diameter \varnothing
300 mm

Thickness (TH)
28 mm

Height (A)
69 mm

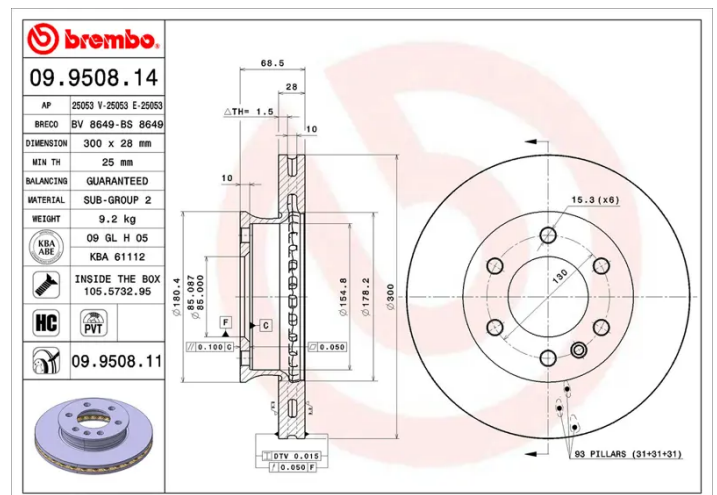
Number of holes (C)
6

Brake disc type
Ventilated

Centering (B)
85 mm

Min. thickness
25 mm

Tightening torque
175 Nm



COMPATIBLE VEHICLES

COMPATIBLE OE PART NUMBERS

68006716AA DODGE

9064210012 MERCEDES-BENZ

9064210112 MERCEDES-BENZ

9064210212 MERCEDES-BENZ

9074210100 MERCEDES-BENZ

907421010007 MERCEDES-BENZ

A9064210012 MERCEDES-BENZ

A9064210112 MERCEDES-BENZ

A9064210212 MERCEDES-BENZ

A9074210100 MERCEDES-BENZ

2E0615301 VW
