



BRAKE DISC MAX

09.9610.75

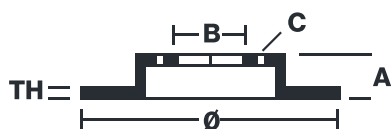
The 09.9610.75 Max brake disc is synonymous with reliability

The Brembo Max brake disc features grooves on the braking surface. The special shape of the grooves generates greater fading resistance and constant renewal of friction material, quickly restoring optimum braking conditions. The UV paint completes the sporty look.

- ✓ Brembo quality
- ✓ ECE-R90 certificate
- ✓ Performance
- ✓ Sports driving
- ✓ Sporty look
- ✓ Anti-corrosion
- ✓ Fastening screws



Technical specifications



EAN code
8020584023976

Axle
Front

Diameter Ø
247 mm

Thickness (TH)
20,4 mm

Height (A)
34 mm

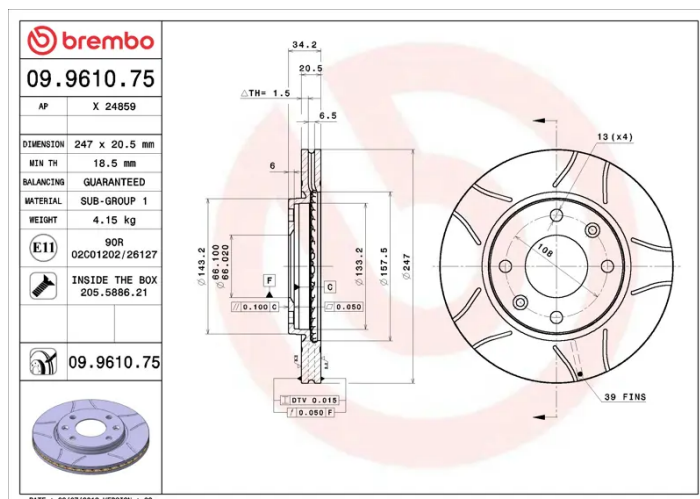
Number of holes (C)
4

Brake disc type
Ventilated

Centering (B)
66 mm

Min. thickness
18,5 mm

Tightening torque
85 Nm



COMPATIBLE VEHICLES

COMPATIBLE OE PART NUMBERS

169003	CITROËN
424996	CITROËN
424996	CITROËN (DF-PSA)
4246A7	NAZA
424996	NAZA
1611841180	PEUGEOT
424694	PEUGEOT
4246A7	PEUGEOT
424996	PEUGEOT
4246A7	PEUGEOT (DF-PSA)
424996	PEUGEOT (DF-PSA)