



BRAKE DISC

09.A110.10

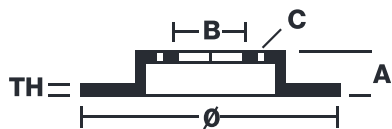
The **09.A110.10** brake disc is synonymous with reliability

The Brembo brake disc is fully interchangeable with an Original Equipment brake disc. The control of the entire production cycle allows Brembo to offer brake discs with outstanding performance levels, reliability, durability and comfort in all conditions of use. All Brembo brake discs are accompanied by the ECE-R90 homologation.

- ✓ OE-equivalent
- ✓ Brembo quality
- ✓ ECE-R90 certificate
- ✓ Safety



Technical specifications



EAN code
8020584016978

Axle
Front

Diameter Ø
296 mm

Thickness (TH)
28 mm

Height (A)
49 mm

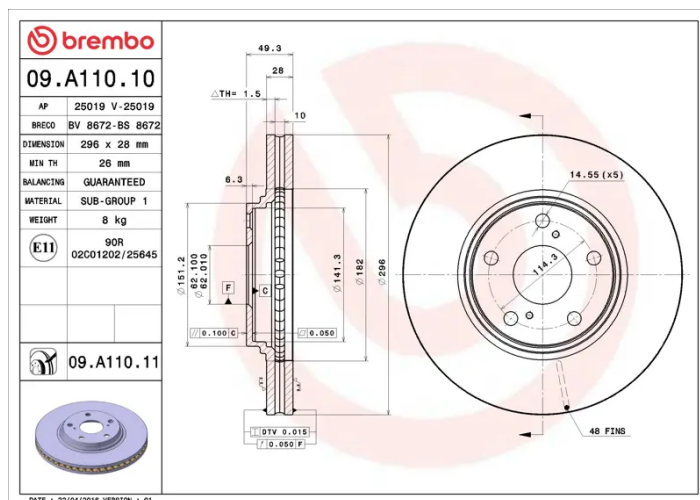
Number of holes (C)
5

Brake disc type
Ventilated

Centering (B)
62 mm

Min. thickness
26 mm

Tightening torque
103 Nm



COMPATIBLE VEHICLES

COMPATIBLE OE PART NUMBERS

4351233100	LEXUS
------------	-------

4351248010	LEXUS
------------	-------

4351248011	LEXUS
------------	-------

4351248020	LEXUS
------------	-------

4351248030	LEXUS
------------	-------

4351248031	LEXUS
------------	-------

4351248050	LEXUS
------------	-------

4351248060	LEXUS
------------	-------

4351258010	LEXUS
------------	-------

4351258011	LEXUS
------------	-------

4351206130	TOYOTA
------------	--------

4351228180	TOYOTA
------------	--------

4351228181	TOYOTA
------------	--------

4351233100	TOYOTA
------------	--------

4351248010	TOYOTA
------------	--------

4351248011	TOYOTA
------------	--------

4351248030	TOYOTA
------------	--------

4351248031	TOYOTA
------------	--------

4351258010	TOYOTA
------------	--------

4351258011	TOYOTA
------------	--------