

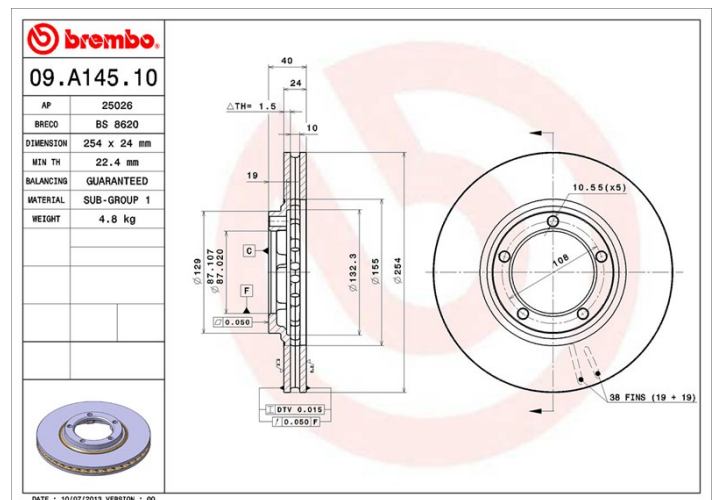
Technische Daten der Scheiben

Achse Vorne	Durchmesser 254 mm
Gesamthöhe (A) 40 mm	Nabendurchmesser (B) 87 mm
Anzahl der Bohrungen (C) 5	Stärke (TH) 24 mm
Minimalstärke 22,4 mm	Anzugsmoment 100 Nm
Stück pro Karton 2	EAN-Code 8020584030011



Herstellernummer

Brembo 09.A145.10	AP 25026	Breco BS 8620
-----------------------------	--------------------	-------------------------



Technische Daten

Kompat. Fahrz.

FENGXING

Modell	Typ	kW	Baujahr
CM7 / M7 MPV	2.0 T	140	08/14 -
CM7 / M7 MPV	2.4 T	121	08/14 12/15
FUTURE MPV	1.8	118	12/07 -
FUTURE MPV	1.8	103	12/07 12/13
FUTURE MPV	1.9 D	82	01/02 -
FUTURE MPV	2.0	82	07/04 -
FUTURE MPV	2.4	97	03/01 -
LINGZHI MPV	1.5	85	10/16 -
LINGZHI MPV	1.5	82	10/16 12/17
LINGZHI MPV	1.6	83	11/14 -

LINGZHI MPV	1.6	90	06/17 -
LINGZHI MPV	1.9 D	82	01/07 12/13
LINGZHI MPV	2.0	89	01/07 12/17
LINGZHI MPV	2.0	82	04/06 12/12
LINGZHI MPV	2.4	121	01/10 01/12
LINGZHI MPV	2.4	110	01/12 12/14
LINGZHI MPV	2.4	93	04/06 12/10

HYUNDAI

Modell	Typ	kW	Baujahr
H-1 / STAREX MPV (A1)	2.4	82	06/97 04/04
H-1 / STAREX MPV (A1)	2.4	107	11/01 04/04
H-1 / STAREX MPV (A1)	2.4 4WD	99	06/01 04/04
H-1 / STAREX MPV (A1)	2.5 CRDi	81	06/06 12/07
H-1 / STAREX MPV (A1)	2.5 CRDi	85	06/97 04/04
H-1 / STAREX MPV (A1)	2.5 CRDi	103	12/02 -
H-1 / STAREX MPV (A1)	2.5 CRDi	120	12/02 04/04
H-1 / STAREX MPV (A1)	2.5 CRDi 4WD	103	12/02 04/04
H-1 / STAREX MPV (A1)	2.5 D	57	10/97 04/04
H-1 / STAREX MPV (A1)	2.5 TCI	73	10/97 12/07
H-1 / STAREX MPV (A1)	2.5 TD	59	06/97 04/04
H-1 / STAREX MPV (A1)	2.5 TD 4WD	73	03/01 04/04
H-1 / STAREX MPV (A1)	2.5 TD 4WD	74	11/01 04/04
H-1 / STAREX MPV (A1)	2.6 TDiC	63	10/97 04/04
H-1 Box (A1)	2.4	82	03/00 04/04
H-1 Box (A1)	2.5 TD	59	03/00 09/00
H-1 Box (A1)	2.5 TD	73	03/00 10/06
H-1 Box (A1)	2.5 TD	74	10/01 08/07
H-1 Platform/Chassis	2.5 D	73	06/00 10/06

JAC

Modell	Typ	kW	Baujahr
REFINE M3 MPV	1.6	88	03/15 -
REFINE M3 MPV	2.0	105	03/15 10/17
REFINE M5 I MPV	1.8	96	06/12 12/14
REFINE M5 I MPV	1.8 D	88	01/12 12/14

REFINE M5 I MPV	1.9 D	102	11/12 -
REFINE M5 I MPV	2.0	100	01/02 12/08
REFINE M5 I MPV	2.0	108	04/15 -
REFINE M5 I MPV	2.0	95	07/06 12/12
REFINE M5 I MPV	2.1 D	46	07/06 -
REFINE M5 I MPV	2.2	75	06/05 -
REFINE M5 I MPV	2.2	126	07/06 -
REFINE M5 I MPV	2.2	130	10/06 -
REFINE M5 I MPV	2.4	110	01/11 12/14
REFINE M5 I MPV	2.4	102	02/02 12/08
REFINE M5 I MPV	2.5 D Rear Wheel Drive	76	01/02 01/08
REFINE M5 I MPV	2.8 TD	80	08/07 -

OE-Teilenr.

Passende OE-Teilenummern

HYUNDAI	581294A000
HYUNDAI	581294A100