

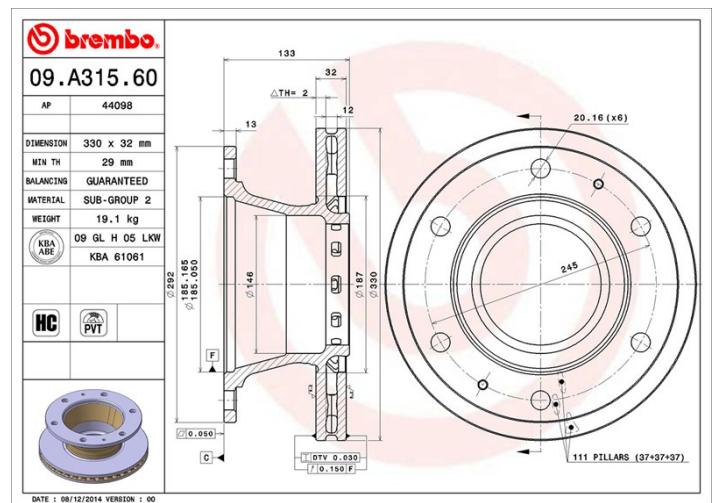
## Technische Daten der Scheiben

<b>Achse</b> Hinten	<b>Durchmesser</b> 330 mm
<b>Gesamthöhe</b> (A) 129,5 mm	<b>Nabendurchmesser</b> (B) 185 mm
<b>Anzahl der Bohrungen</b> (C) 6	<b>Stärke</b> (TH) 32 mm
<b>Minimalstärke</b> 29 mm	<b>Anzugsmoment</b> Nm
<b>Stück pro Karton</b> 1	<b>EAN-Code</b> 8020584016534



## Herstellernummer

<b>Brembo</b> 09.A315.60	<b>AP</b> 44098
-----------------------------	--------------------



## Technische Daten

### High-Carbon-Bremsscheibe (HC)

Der hohe Kohlenstoffanteil im Gusseisen der HC-Bremsscheibe bewirkt eine bessere Dämpfung und reduziert im Fahrbetrieb Vibrationen und Geräusche.



## Kompat. Fahrzq.

IVECO				
Modell	Typ	kW	Baujahr	
EuroCargo I-III	100 E 17 K tector, 100 E 17 DK tector	125	09/00 09/15	
EuroCargo I-III	100 E 17, 100 E 17 DP tector, 100 E 18 tector	125	09/00 09/15	
EuroCargo I-III	100 E 18 K tector, 100 E 18 DK tector	134	09/00 09/15	
EuroCargo I-III	100 E 18 W tector, 100 E 18 WS tector	134	09/00 09/15	
EuroCargo I-III	100 E 21 K tector, 100 E 21 DK tector	154	09/00 09/15	
EuroCargo I-III	100 E 21 W tector, 100 E 21	154	09/00 09/15	

## WS tector

EuroCargo I-III	100 E 21, 100 E 21 DP tector, 100 E 22 tector	154	09/00 09/15
EuroCargo I-III	65 E 15 tector, 65 E 15 P tector	110	09/00 09/15
EuroCargo I-III	65 E15 K tector	110	09/00 09/15
EuroCargo I-III	75 E 13 tector, 75 E 13 P tector	95	09/00 09/15
EuroCargo I-III	75 E 15 K tector	110	09/00 09/15
EuroCargo I-III	75 E 15 tector, 75 E 15 P tector	110	09/00 09/15
EuroCargo I-III	75 E 17 K, 75 E 18 K tector	125	09/00 09/15
EuroCargo I-III	75 E 17, 75 E 17 P, 75 E 18 tector	125	09/00 09/15
EuroCargo I-III	75 E 18 K tector	134	09/00 09/15
EuroCargo I-III	75 E 18 tector, 75 E 18 P tector	134	09/00 09/15
EuroCargo I-III	80 E 17 K, 80 E 17 DK tector, 80 E 18 K tector	125	09/00 09/15
EuroCargo I-III	80 E 17, 80 E 17 D tector, 80 E 17 DP tector, 80 E 18 tector	125	09/00 09/15
EuroCargo I-III	80 E 18 K tector, 80 E 18 DK tector	134	09/00 09/15
EuroCargo I-III	80 E 18 tector, 80 E 18 D tector, 80 E 18 DP tector	134	09/00 09/15
EuroCargo I-III	80 E 21 K, 80 E 21 DK tector, 80 E 22 K tector	154	09/00 09/15
EuroCargo I-III	80 E 21, 80 E 21 D tector, 80 E 21 DP tector, 80 E 22 tector	154	09/00 09/15
EuroCargo I-III	80 EL 15 tector	110	09/00 09/15
EuroCargo I-III	80 EL 16 tector, 80 EL 16 P tector	118	09/06 09/15
EuroCargo I-III	90 E 17 K tector, 90 E 17 DK tector	125	09/00 09/15
EuroCargo I-III	90 E 17, 90 E 17D tector, 90 E 17 DP tector, 90 E 18 tector	125	09/00 09/15
EuroCargo I-III	90 E 18 K tector, 90 E 18 DK tector	134	09/00 09/15
EuroCargo I-III	90 E 18 tector, 90 E 18 D tector, 90 E 18 DP tector	130	09/00 09/15
EuroCargo I-III	90 E 21 K tector, 90 E 21 DK tector	154	09/00 09/15
EuroCargo I-III	90 E 21, 90 E 21 D tector, 90 E 21 DP tector, 90 E 22 tector	154	09/00 09/15

**OE-Teilenr.**

## Passende OE-Teilenummern

IVECO	2996418
-------	---------

---

IVECO	7189456
-------	---------

---