

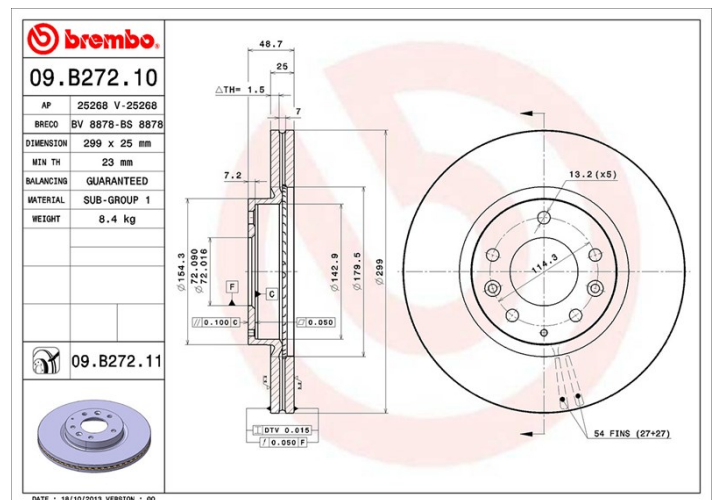
Technische Daten der Scheiben

Achse Vorne	Durchmesser 299 mm
Gesamthöhe (A) 48,7 mm	Nabendurchmesser (B) 72 mm
Anzahl der Bohrungen (C) 5	Stärke (TH) 25 mm
Minimalstärke 23 mm	Anzugsmoment  103 Nm
Stück pro Karton 2	EAN-Code 8020584033630



Herstellernummer

Brembo 09.B272.10	AP 25268	Breco BS 8878
-----------------------------	--------------------	-------------------------



Technische Daten

Kompat. Fahrzq.

BESTURN (FAW)

Modell	Typ	kW	Baujahr
X80	1.8	132	09/14 -
X80	1.8	137	09/16 -
X80	2.0	108	05/13 -
X80	2.3	118	05/13 12/14

MAZDA

Modell	Typ	kW	Baujahr
6 Estate (GH)	1.8 MZR	88	02/08 07/13
6 Estate (GH)	2.0 MZR	114	01/10 07/13
6 Estate (GH)	2.0 MZR	108	12/07 07/13
6 Estate (GH)	2.0 MZR-CD	103	12/07 12/10

6 Estate (GH)	2.2 D	95	01/10 07/13
6 Estate (GH)	2.2 MZR-CD	92	01/09 12/10
6 Estate (GH)	2.2 MZR-CD	132	01/10 07/13
6 Estate (GH)	2.2 MZR-CD	120	08/08 07/13
6 Estate (GH)	2.2 MZR-CD	136	08/08 12/11
6 Estate (GH)	2.5 MZR	125	02/08 07/13
6 Hatchback (GH)	1.8 MZR	88	08/07 07/13
6 Hatchback (GH)	2.0 MZR	114	01/10 12/12
6 Hatchback (GH)	2.0 MZR	108	08/07 07/13
6 Hatchback (GH)	2.0 MZR-CD	103	08/07 10/09
6 Hatchback (GH)	2.2 D	95	01/10 12/12
6 Hatchback (GH)	2.2 MZR-CD	92	01/09 12/12
6 Hatchback (GH)	2.2 MZR-CD	120	01/09 12/12
6 Hatchback (GH)	2.2 MZR-CD	136	01/09 12/12
6 Hatchback (GH)	2.2 MZR-CD	132	01/10 12/12
6 Hatchback (GH)	2.5 MZR	125	08/07 03/13
6 Saloon (GH)	1.8 MZR	88	08/07 07/13
6 Saloon (GH)	2.0 MZR	114	01/10 12/12
6 Saloon (GH)	2.0 MZR	108	08/07 12/12
6 Saloon (GH)	2.0 MZR-CD	103	08/07 10/10
6 Saloon (GH)	2.2 D	132	01/10 07/13
6 Saloon (GH)	2.2 D	95	01/10 12/12
6 Saloon (GH)	2.2 MZR-CD	92	01/09 12/12
6 Saloon (GH)	2.2 MZR-CD	120	01/09 12/12
6 Saloon (GH)	2.2 MZR-CD	136	01/09 12/12
6 Saloon (GH)	2.5 MZR	125	08/07 07/13

MAZDA (FAW)

Modell	Typ	kW	Baujahr
6 RUI YI Saloon	2.0	108	10/09 -
6 RUI YI Saloon	2.5	124	01/09 12/14

OE-Teilernr.

Passende OE-Teilenummern

MAZDA

G33Y3325X

