



BRAKE DISC

09.B496.10

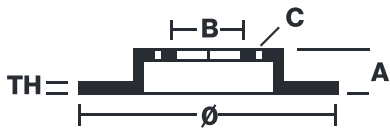
The **09.B496.10** brake disc is synonymous with reliability

The Brembo brake disc is fully interchangeable with an Original Equipment brake disc. The control of the entire production cycle allows Brembo to offer brake discs with outstanding performance levels, reliability, durability and comfort in all conditions of use. All Brembo brake discs are accompanied by the ECE-R90 homologation.

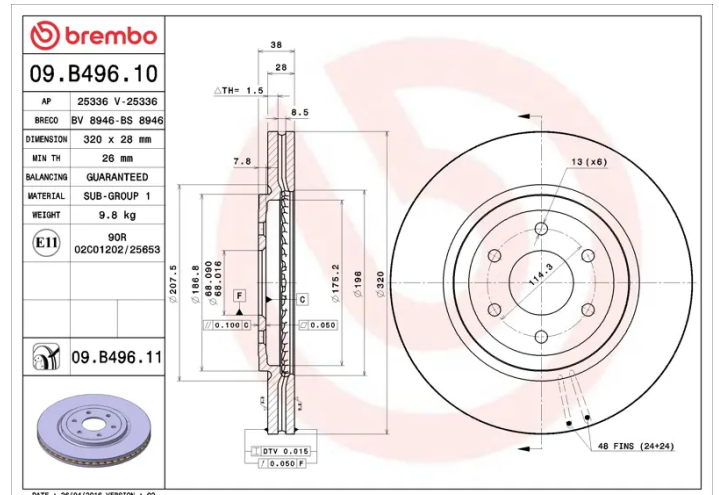
- ✓ OE-equivalent
- ✓ Brembo quality
- ✓ ECE-R90 certificate
- ✓ Safety



Technical specifications



EAN code 8020584036341	Axle Front	Diameter Ø 320 mm
Thickness (TH) 28 mm	Height (A) 38 mm	Number of holes (C) 6
Brake disc type Ventilated	Centering (B) 68 mm	Min. thickness 26 mm



COMPATIBLE VEHICLES

COMPATIBLE OE PART NUMBERS

402063X00B	NISSAN
------------	--------

402065X00A	NISSAN
------------	--------

402065X01A	NISSAN
------------	--------

40206EB320	NISSAN
------------	--------
