



BRAKE DISC

09.B622.10

The **09.B622.10** brake disc is synonymous with reliability

The Brembo brake disc is fully interchangeable with an Original Equipment brake disc. The control of the entire production cycle allows Brembo to offer brake discs with outstanding performance levels, reliability, durability and comfort in all conditions of use. All Brembo brake discs are accompanied by the ECE-R90 homologation.

- ✓ OE-equivalent
- ✓ Brembo quality
- ✓ ECE-R90 certificate
- ✓ Safety



Technical specifications



EAN code
8020584020982

Axle
Front

Diameter Ø
289 mm

Thickness (TH)
28 mm

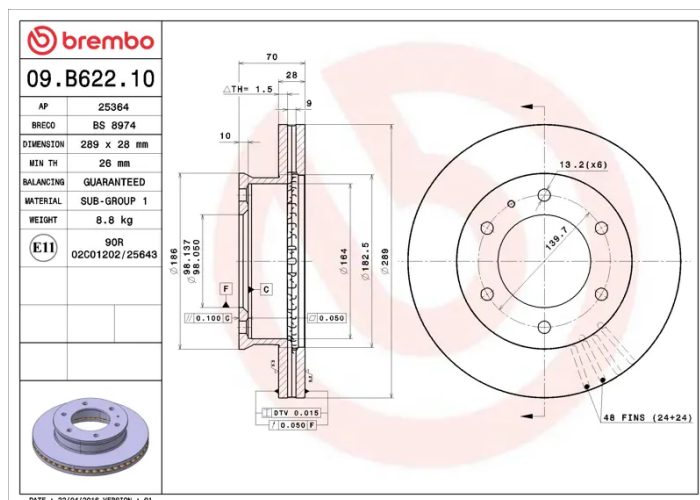
Height (A)
70 mm

Number of holes (C)
6

Brake disc type
Ventilated

Centering (B)
98 mm

Min. thickness
26 mm



COMPATIBLE VEHICLES

COMPATIBLE OE PART NUMBERS

1490412	FORD
6M341027DA	FORD
UM5133251	FORD ASIA & OCEANIA
UR6133251	FORD ASIA & OCEANIA
1490412	FORD USA
2M341027AA	FORD USA
4429562	FORD USA
6M341027DA	FORD USA
UM5133251	FORD USA
UR6133251	FORD USA
BT5033251	MAZDA
UM5133251	MAZDA
UR6133251	MAZDA