

Trommel, technische Daten

Achse Hinten

Durchmesser
(Durchmesser)
180,00 mm

Maximaler Durchmesser (Maximaler Durchmesser)
181,00 mm

Maximaler Durchmesser
181,00 mm

Breite
43,00 mm

Nabendurchmesser (B)
52 mm

Gesamthöhe (C)
73,00 mm

Anzahl der Bohrungen (D)
4,00

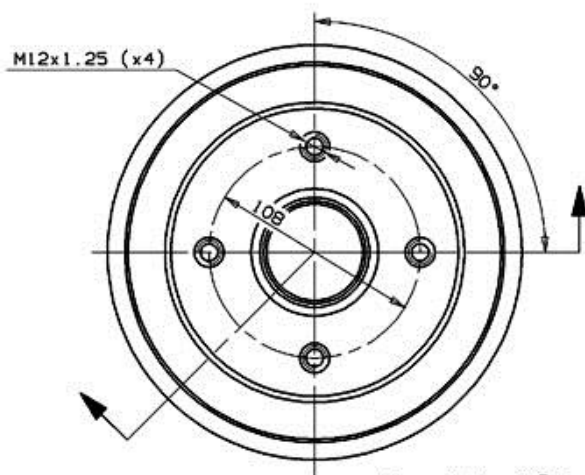
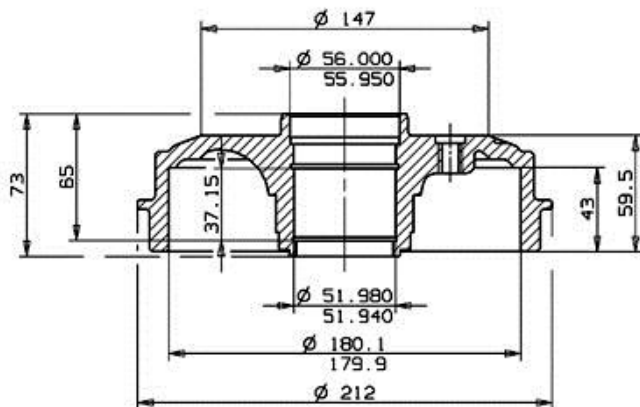
Radlager

EAN-Code
8020584498019



PEUGEOT P.N.: 4247.25-4247.31
CUSTOMER P.N.:

14.4980.10
Date 30.12.98



Max. DIA. 181 mm
Weight 4.2 Kg

Kompat. Fahrz.

CITROËN

Modell	Typ	kW	Baujahr
VISA	16 GTI	76	01/85 06/86

VISA	16 GTI	83	06/86 03/91
VISA	17 D	44	04/84 03/91
PEUGEOT			
Modell	Typ	kW	Baujahr
205 Box	1.1	36	02/83 07/87
205 Box	1.1	40	08/87 07/90
205 Box	1.4	44	02/83 07/87
205 I (741A/C)	1.0	33	02/83 10/87
205 I (741A/C)	1.1	36	02/83 10/87
205 I (741A/C)	1.1	37	02/83 10/87
205 I (741A/C)	1.3	47	02/84 10/87
205 I (741A/C)	1.4	44	02/83 10/87
205 I (741A/C)	1.4	53	02/83 10/87
205 I (741A/C)	1.4	59	02/83 10/87
205 I (741A/C)	1.4	58	10/85 10/87
205 I (741A/C)	1.5	63	02/84 10/87
205 I (741A/C)	1.6	53	03/87 10/87
205 I (741A/C)	1.6	55	08/86 10/87
205 I (741A/C)	1.6	55	08/86 10/87
205 I (741A/C)	1.7 Diesel	44	08/83 10/87
205 I Convertible (741B, 20D)	1.1	40	08/87 12/94
205 I Convertible (741B, 20D)	1.1 CJ	44	10/89 12/94
205 I Convertible (741B, 20D)	1.4	62	08/87 06/94
205 I Convertible (741B, 20D)	1.4	50	08/87 07/90
205 I Convertible (741B, 20D)	1.4 CJ	44	03/88 05/89
205 I Convertible (741B, 20D)	1.4 CJ	49	03/89 12/94
205 I Convertible (741B, 20D)	1.4 CJ	55	05/91 12/94
205 I Convertible (741B, 20D)	1.4 CJ Cat	44	01/89 09/93
205 I Convertible (741B, 20D)	1.4 CT	58	04/86 12/88
205 I Convertible (741B, 20D)	1.6 CJ	65	08/92 12/94
205 II (20A/C)	1.0	37	08/92 05/97
205 II (20A/C)	1.0	33	10/87 09/98
205 II (20A/C)	1.1	44	07/89 09/98
205 II (20A/C)	1.1	40	10/87 07/92

205 II (20A/C)	1.1	36	10/87 10/90
205 II (20A/C)	1.2	47	01/87 12/90
205 II (20A/C)	1.4	53	01/87 07/88
205 II (20A/C)	1.4	62	06/87 12/89
205 II (20A/C)	1.4	63	06/87 12/89
205 II (20A/C)	1.4	58	07/88 05/89
205 II (20A/C)	1.4	55	07/88 09/98
205 II (20A/C)	1.4	55	07/88 09/98
205 II (20A/C)	1.4	50	08/90 07/92
205 II (20A/C)	1.4	44	10/87 05/89
205 II (20A/C)	1.4	49	10/87 10/90
205 II (20A/C)	1.4 Cat	44	08/87 09/93
205 II (20A/C)	1.6	66	08/90 07/92
205 II (20A/C)	1.6	53	10/87 09/98
205 II (20A/C)	1.6	55	10/87 09/98
205 II (20A/C)	1.6 Aut.	65	05/90 09/98
205 II (20A/C)	1.6 Aut.	58	10/87 09/98
205 II (20A/C)	1.7 Diesel	44	07/87 09/98
205 II (20A/C)	1.8 TD	57	01/90 09/98
205 II (20A/C)	1.8 XDT	58	08/90 05/97
205 II (20A/C)	1.9 Diesel	47	10/87 09/98

OE-Teilenr.

Passende OE-Teilenummern

CITROËN	95637178
PEUGEOT	424725
PEUGEOT	424731