



BRAKE PAD PRIME CERAMIC P10037N

The P10037N NAO brake pad is synonymous with reliability

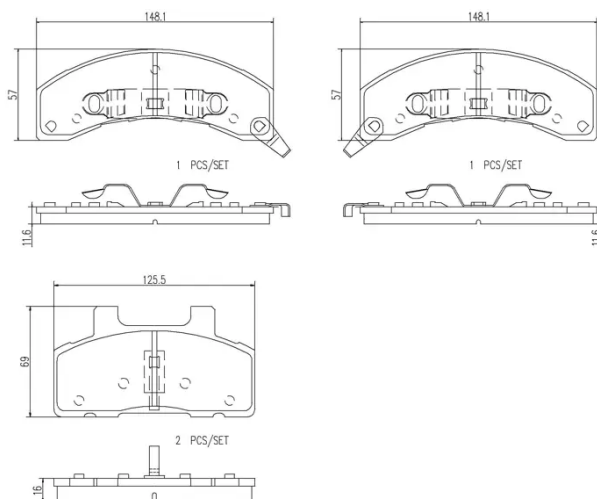
Brembo NAO brake pads stand out for their ultimate braking comfort, reduced friction wear and low dust mission, which makes for cleaner rims and reduced maintenance requirements. The advanced friction material in keeping with the strictest environmental standards is the main distinguishing feature of NAO compounds.

- ✓ OE-equivalent
- ✓ Brembo quality
- ✓ Safety
- ✓ Comfort
- ✓ Durability
- ✓ Dust reduction
- ✓ With accessories



Technical specifications

EAN code 8020584096284	Axle Front	Thickness 12 mm
Width 126 mm	Height 57 mm	Braking system Bendix
Wear indicator Acoustic	WVA number 24769,24770,24771	Accessories With anti-squeal shim



COMPATIBLE VEHICLES

COMPATIBLE OE PART NUMBERS

12321410	BUICK
12321422	BUICK
12321453	BUICK
12510004	BUICK
12510008	BUICK
18024918	CADILLAC
18024919	CADILLAC
12300232	CHEVROLET
12300235	CHEVROLET
18015922	CHEVROLET
19152640	FORD USA