



BRAKE PAD PRIME CERAMIC P11031N

The P11031N NAO brake pad is synonymous with reliability

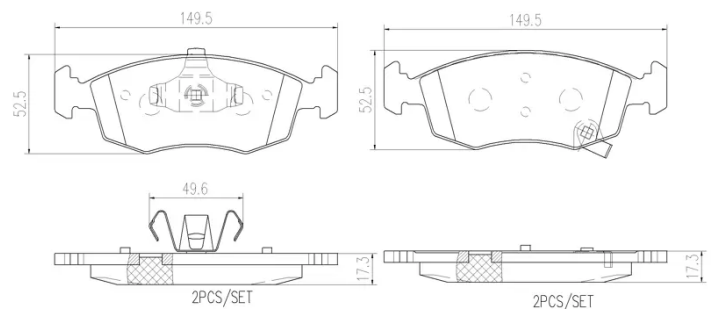
Brembo NAO brake pads stand out for their ultimate braking comfort, reduced friction wear and low dust mission, which makes for cleaner rims and reduced maintenance requirements. The advanced friction material in keeping with the strictest environmental standards is the main distinguishing feature of NAO compounds.

- ✓ OE-equivalent
- ✓ Brembo quality
- ✓ Safety
- ✓ Comfort
- ✓ Durability
- ✓ Dust reduction
- ✓ With accessories



Technical specifications

EAN code 8020584088104	Axle Front	Thickness 17 mm
Width 150 mm	Height 53 mm	Braking system Teves
Wear indicator Acoustic	WVA number 25323,25324	Accessories With accessories With anti-squeal shim With piston clip



COMPATIBLE OE PART NUMBERS

0000077366212 FIAT

0000077366274 FIAT

0000077366378 FIAT

6001073454 FIAT

77366212 FIAT

77366274 FIAT

77366378 FIAT

0000077365927 LANCIA

0000077365945 LANCIA

0000077366212 LANCIA

0000077366378 LANCIA

0077366212 LANCIA

77365927 LANCIA

77365945 LANCIA

77366378 LANCIA

77368668 LANCIA

77368831 LANCIA
