

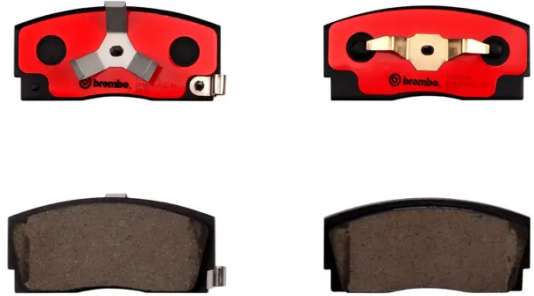


BRAKE PAD PRIME CERAMIC P16005N

The P16005N NAO brake pad is synonymous with reliability

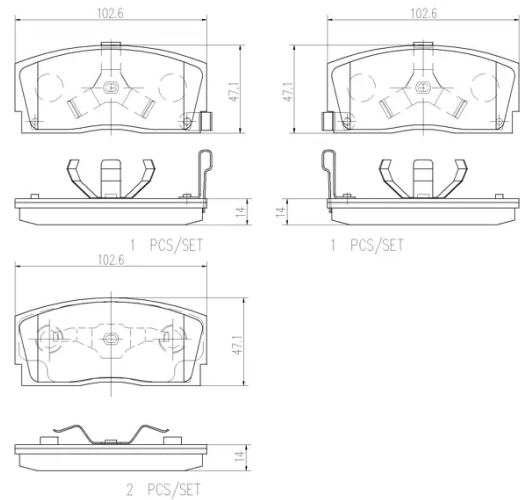
Brembo NAO brake pads stand out for their ultimate braking comfort, reduced friction wear and low dust mission, which makes for cleaner rims and reduced maintenance requirements. The advanced friction material in keeping with the strictest environmental standards is the main distinguishing feature of NAO compounds.

- ✓ OE-equivalent
- ✓ Brembo quality
- ✓ Safety
- ✓ Comfort
- ✓ Durability
- ✓ Dust reduction
- ✓ With accessories



Technical specifications

EAN code 8020584085608	Axle Front	Thickness 14 mm
Width 103 mm	Height 47 mm	Braking system Akebono
Wear indicator Acoustic	WVA number 21338,21339,21340	Accessories With accessories With anti-squeal shim With piston clip



COMPATIBLE VEHICLES

COMPATIBLE OE PART NUMBERS

0449187101000 DAIHATSU

0449187103 DAIHATSU

0449187103000 DAIHATSU

0449187104 DAIHATSU

0449187104000 DAIHATSU

0449187109 DAIHATSU

0449187706 DAIHATSU

0449187706000 DAIHATSU

0449187708 DAIHATSU

0449187708000 DAIHATSU

0449187710 DAIHATSU

0449187710000 DAIHATSU

0449187712000 DAIHATSU

0449187715 DAIHATSU

0449187715000 DAIHATSU

0449187721000 DAIHATSU
