



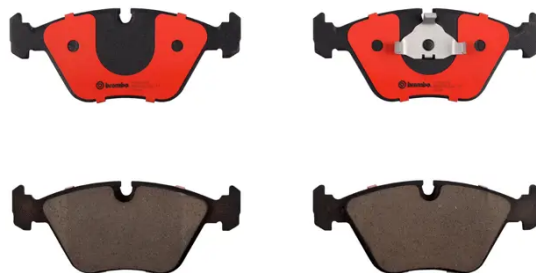
# BRAKE PAD PRIME CERAMIC

## P36007N

The P36007N NAO brake pad is synonymous with reliability

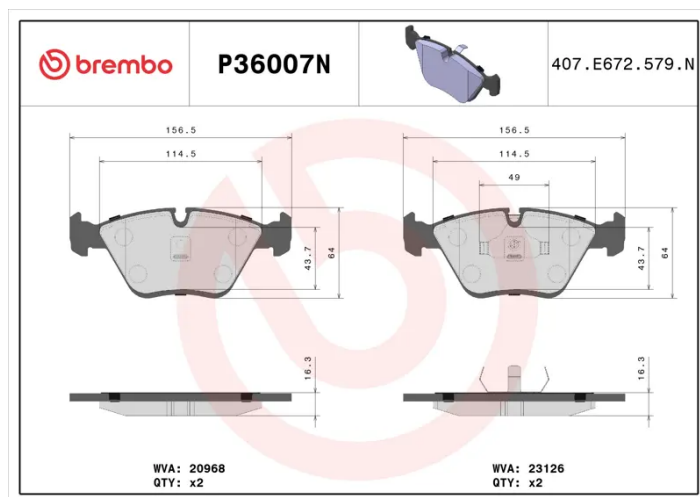
Brembo NAO brake pads stand out for their ultimate braking comfort, reduced friction wear and low dust mission, which makes for cleaner rims and reduced maintenance requirements. The advanced friction material in keeping with the strictest environmental standards is the main distinguishing feature of NAO compounds.

- ✓ OE-equivalent
- ✓ Brembo quality
- ✓ Safety
- ✓ Comfort
- ✓ Durability
- ✓ Dust reduction
- ✓ With accessories



### Technical specifications

EAN code <b>8020584083109</b>	Axle <b>Front</b>	Thickness <b>16 mm</b>
Width <b>156 mm</b>	Height <b>64 mm</b>	Braking system <b>Teves</b>
Wear indicator <b>Prepared for wear indicator</b>	WVA number <b>20968,23126</b>	Accessories <b>With accessories With anti-squeal shim With piston clip</b>



COMPATIBLE VEHICLES

## COMPATIBLE OE PART NUMBERS

JLM001829	JAGUAR
-----------	--------

JLM1829	JAGUAR
---------	--------

JLM20702	JAGUAR
----------	--------

JLM21222	JAGUAR
----------	--------

JLM21917	JAGUAR
----------	--------

MJE2001AA	JAGUAR
-----------	--------

MJE2001AB	JAGUAR
-----------	--------