



BRAKE PAD PRIME CERAMIC P50116N

The P50116N NAO brake pad is synonymous with reliability

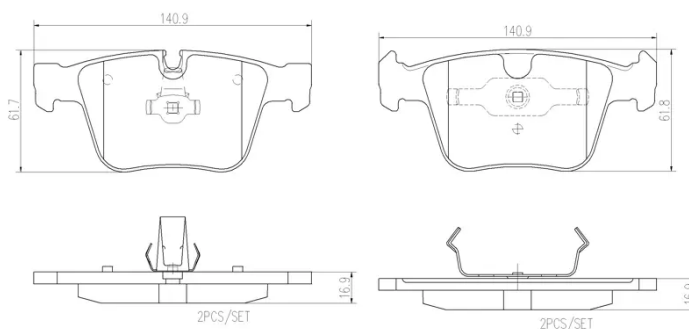
Brembo NAO brake pads stand out for their ultimate braking comfort, reduced friction wear and low dust mission, which makes for cleaner rims and reduced maintenance requirements. The advanced friction material in keeping with the strictest environmental standards is the main distinguishing feature of NAO compounds.

- ✓ OE-equivalent
- ✓ Brembo quality
- ✓ Safety
- ✓ Comfort
- ✓ Durability
- ✓ Dust reduction
- ✓ With accessories



Technical specifications

EAN code 8020584080412	Axle Rear	Thickness 17 mm
Width 141 mm	Height 62 mm	Braking system Teves
Wear indicator Prepared for wear indicator	WVA number 24180,24181	Accessories With accessories With anti-squeal shim With piston clip



COMPATIBLE VEHICLES

COMPATIBLE OE PART NUMBERS

0004207004 MERCEDES-BENZ

0054208220 MERCEDES-BENZ

1644201020 MERCEDES-BENZ

1644202420 MERCEDES-BENZ

A0004207004 MERCEDES-BENZ

A0054208220 MERCEDES-BENZ

A1644201020 MERCEDES-BENZ

A1644202420 MERCEDES-BENZ
