



BRAKE PAD PRIME CERAMIC P86033N

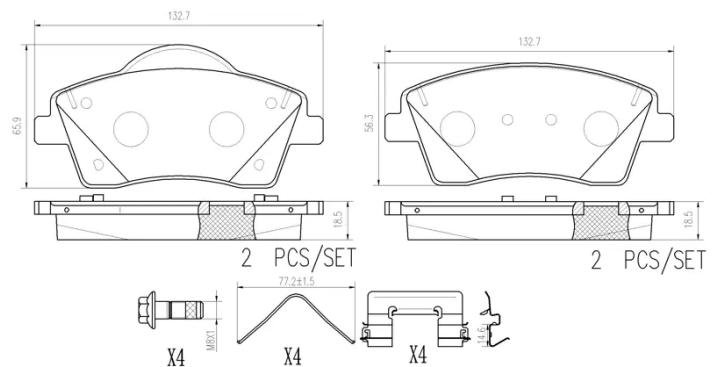
The P86033N NAO brake pad is synonymous with reliability

Brembo NAO brake pads stand out for their ultimate braking comfort, reduced friction wear and low dust mission, which makes for cleaner rims and reduced maintenance requirements. The advanced friction material in keeping with the strictest environmental standards is the main distinguishing feature of NAO compounds.

- ✓ OE-equivalent
- ✓ Brembo quality
- ✓ Safety
- ✓ Comfort
- ✓ Durability
- ✓ Dust reduction
- ✓ With accessories

Technical specifications

EAN code 8020584118641	Axle Front	Thickness 19 mm
Width 133 mm	Height 56 mm	Braking system Bosch
Wear indicator Without	WVA number 22997,22998	Accessories With accessories With anti-squeal shim With brake caliper bolts



COMPATIBLE VEHICLES

COMPATIBLE OE PART NUMBERS

4048083500 GEELY

8888638179 LYNK & CO

8889730081 LYNK & CO

31471409 VOLVO

314714090 VOLVO

31471410 VOLVO

314714100 VOLVO

32276932 VOLVO

322769320 VOLVO

32287456 VOLVO

322874560 VOLVO
