



BRAKE PAD

P 09 025

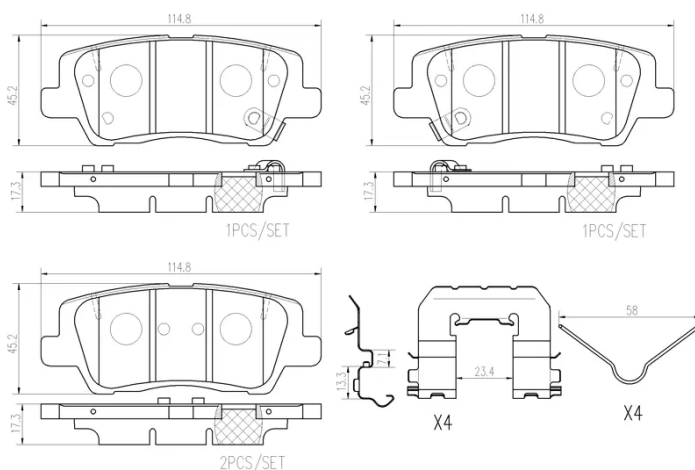
The P 09 025 brake pad is synonymous with reliability

The Brembo brake pad guarantees ultimate safety when braking thanks to the use of more than 100 different compounds, designed according to the type of vehicle and use. Stopping distances reduced to a minimum, maximum driving comfort and silent operation are the most important features of Brembo materials. Brembo brake pads are supplied together with an extensive range of accessories and assembly kits for professional-standard installation.

- ✓ OE-equivalent
- ✓ Brembo quality
- ✓ ECE-R90 certificate
- ✓ Safety
- ✓ Performance
- ✓ Comfort

Technical specifications

EAN code 8020584113202	Axle Rear	Thickness 17 mm
Width 115 mm	Height 45 mm	
Wear indicator Acoustic	WVA number 25846,25847,25848	Accessories With anti-squeal shim



COMPATIBLE OE PART NUMBERS

85138426	BUICK (SGM)
22857904	CADILLAC
22857909	CADILLAC
23275448	CADILLAC
84252537	CADILLAC
23358697	CADILLAC (SGM)
85138426	CADILLAC (SGM)
23316762	CHEVROLET
85138426	CHEVROLET (SGM)