

Bremsbeläge, technische Daten

Achse
Hinten

WVA
24163

Breite
101,2 mm

Stärke
17,8 mm

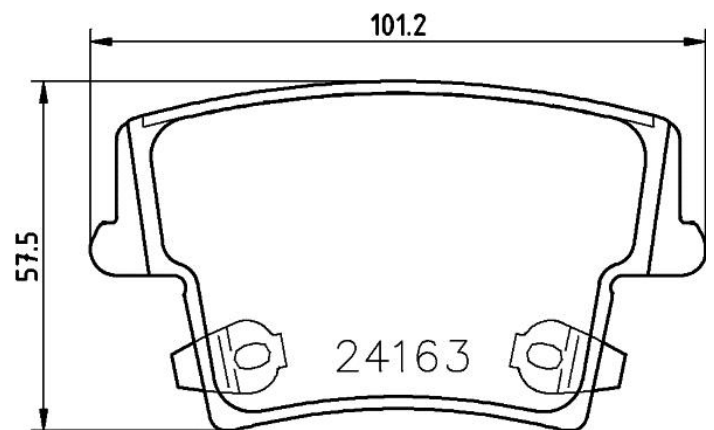
Höhe
57,5 mm

Bremssystem
Bosch

Eigenschaften

Verschleißanzeiger
Akustische

EAN-Code
8020584060148



Kompat. Fahrzg.

CHRYSLER

Modell	Typ	kW	Baujahr
300 C (LX, LE)	3.0 V6 CRD	155	11/10 11/12
300 C (LX, LE)	5.7 AWD	268	09/08 -
300 C Touring (LX, LE)	5.7 AWD	250	04/05 12/10
300C	3.0 CRD	176	09/11 -
300C	3.6	218	01/11 -
300C	3.6	215	07/11 -
300C	3.6	210	09/11 -
300C	5.7	271	09/10 -
300C	5.7 AWD	271	09/10 -
300C	6.4	347	09/11 -

CHRYSLER (BBDC)

Modell	Typ	kW	Baujahr
300C	2.7	152	10/06 12/08
300C	3.5	189	10/06 12/08
300C	5.7	252	10/06 01/12

DODGE

Modell	Typ	kW	Baujahr
CHALLENGER Coupe	3.5	186	09/08 12/10
CHALLENGER Coupe	3.6	227	01/11 -
CHALLENGER Coupe	3.6 Flexfuel	227	09/10 -
CHALLENGER Coupe	5.7	280	01/10 -
CHALLENGER Coupe	5.7	277	09/08 -
CHALLENGER Coupe	6.1 SRT8	313	01/08 -
CHALLENGER Coupe	6.4	361	09/14 -
CHALLENGER Coupe	6.4 SRT8	351	01/11 -
CHALLENGER Coupe	6.4 SRT8	346	08/11 -
CHARGER	3.6	215	06/12 -
CHARGER	3.6	218	09/11 12/14
CHARGER	3.6 AWD	218	01/11 12/14
CHARGER	5.7	272	06/12 -
CHARGER	5.7 Flexfuel AWD	276	11/11 -
CHARGER	5.7 R/T	276	09/11 -
CHARGER	5.7 R/T AWD	276	09/11 -
CHARGER	6.2 SRT Hellcat	527	09/14 -
CHARGER	6.4 SRT8	351	09/11 -
CHARGER	6.4 SRT8	362	09/14 -
CHARGER	2.7	141	04/06 12/10
CHARGER	3.5	186	06/05 12/10
CHARGER	3.5 AWD	186	09/06 12/10
CHARGER	5.7 R/T	254	06/05 12/08

LANCIA

Modell	Typ	kW	Baujahr
THEMA (LX_)	3.0 D	140	09/11 10/14
THEMA (LX_)	3.0 D	176	09/11 10/14
THEMA (LX_)	3.6	210	09/11 10/14

OE-Teilenr.**Passende OE-Teilenummern**

CHRYSLER	05139191AA
CHRYSLER	05142561AA
CHRYSLER	05142566AA
CHRYSLER	05142566AB
CHRYSLER	5139191AA
CHRYSLER	5142561AA
CHRYSLER	5142566AB
FIAT	K05142561AA
FIAT	K05142566AB
LANCIA	K05142561AB
LANCIA	K05142566AA
LANCIA	K05142566AB