

## Bremsbeläge, technische Daten

**Achse**  
Vorne

**WVA**  
23497, 23498

**Breite**  
115,7 mm

**Stärke**  
15,5 mm

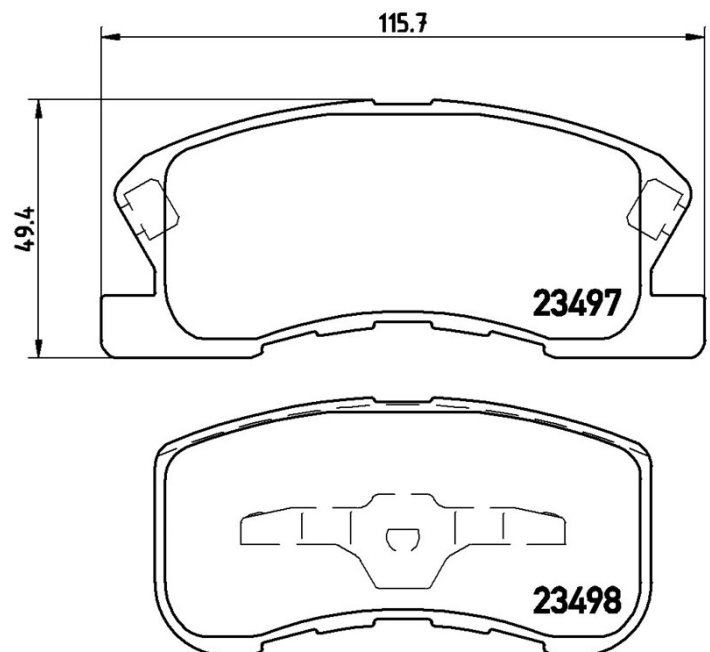
**Höhe**  
49,4 mm

**Bremssystem**  
Akebono

**Eigenschaften**

**Verschleißanzeiger**  
Akustische

**EAN-Code**  
8020584050682



## Kompat. Fahrzg.

### DAIHATSU

Modell	Typ	kW	Baujahr
MAX (L95_, L96_)	0.7	43	06/00 12/06
MAX (L95_, L96_)	0.7 Ri	47	09/02 12/06
MAX (L95_, L96_)	0.7 RS 4x4	47	09/02 12/06
OPTI II Saloon	0.7 Turbo	47	11/98 02/03
OPTI II Saloon	0.7 Turbo 4x4	47	11/98 02/03
SIRION (M1)	0.7 Turbo 4WD	88	09/98 01/05
SIRION (M1)	1.0	40	04/98 10/00
SIRION (M1)	1.0 i (M100)	41	04/98 09/00

SIRION (M1)	1.0 i (M101)	43	09/00 01/05
SIRION (M1)	1.0 i 4WD	41	04/99 09/00
SIRION (M1)	1.0 i 4WD	43	09/00 01/05
SIRION (M1)	1.3 Rally	81	06/02 03/05
SIRION (M1)	1.3 Rally 4WD	81	06/02 03/05
SIRION (M1)	1.3 Sport	75	08/00 01/05
SIRION (M1)	1.3 Sport 4WD	75	08/00 03/05
YRV (M2)	1.0	43	02/01 -
YRV (M2)	1.3 (M201)	64	02/01 -
YRV (M2)	1.3 4WD	64	02/01 -
YRV (M2)	1.3 GTti	95	07/02 -

## PERODUA

Modell	Typ	kW	Baujahr
KENARI (L9_)	1.0	41	10/00 -

## TOYOTA

Modell	Typ	kW	Baujahr
DUET (M11_, M10_)	1.0	43	09/98 04/04
DUET (M11_, M10_)	1.0 (M100AS)	40	04/98 04/04

## OE-Teilnr.

### Passende OE-Teilenummern

DAIHATSU	0449197201
DAIHATSU	0449197201000
DAIHATSU	0449197205
DAIHATSU	0449197205000
DAIHATSU	0449197212000
DAIHATSU	0449197401
DAIHATSU	0449197401000
DAIHATSU	0449197403
DAIHATSU	0449197403000
DAIHATSU	04491B2090
DAIHATSU	04491B4010