

Bremsbeläge, technische Daten

Achse

Vorne

WVA

22417

Breite

150,4 mm

Stärke

19,2 mm

Höhe

56,4 mm

Bremssystem

Bosch

Eigenschaften

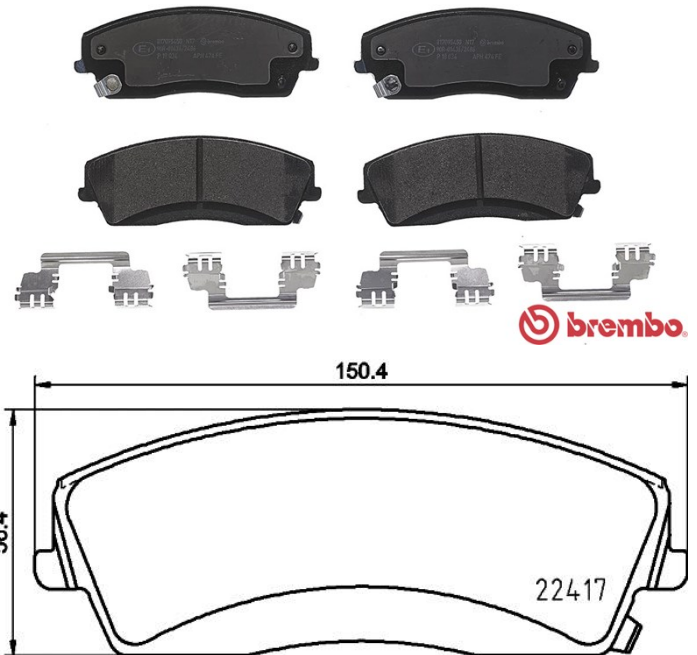
Mit Zubehör

Verschleißanzeiger

Akustische

EAN-Code

8020584084540



Kompat. Fahrzng.

CHRYSLER

| Modell | Typ | kW | Baujahr |
|--------|---------|-----|---------|
| 300C | 3.6 | 218 | 01/11 - |
| 300C | 3.6 | 224 | 09/14 - |
| 300C | 3.6 | 215 | 07/11 - |
| 300C | 3.6 | 210 | 09/11 - |
| 300C | 5.7 | 271 | 09/10 - |
| 300C | 5.7 AWD | 271 | 09/10 - |

DODGE

| Modell | Typ | kW | Baujahr |
|------------------|--------------|-----|-------------|
| CHALLENGER Coupe | 3.6 Flexfuel | 227 | 09/10 - |
| CHALLENGER Coupe | 6.4 | 361 | 09/14 - |
| CHALLENGER Coupe | 6.4 SRT8 | 351 | 01/11 - |
| CHALLENGER Coupe | 6.4 SRT8 | 346 | 08/11 - |
| CHARGER | 3.6 | 215 | 06/12 - |
| CHARGER | 3.6 | 218 | 09/11 12/14 |
| CHARGER | 5.7 | 272 | 06/12 - |
| CHARGER | 5.7 R/T | 276 | 09/11 - |

| | | | |
|---------|-----------------|-----|---------|
| CHARGER | 6.2 SRT Hellcat | 527 | 09/14 - |
| CHARGER | 6.4 SRT8 | 351 | 09/11 - |
| CHARGER | 6.4 SRT8 | 362 | 09/14 - |

OE-Teilenr.

Passende OE-Teilenummern

| | |
|----------|------------|
| CHRYSLER | 05174001AC |
| CHRYSLER | 5174001AC |