

Bremsbeläge, technische Daten

Achse
Hinten

WVA
23760

Breite
116,7 mm

Stärke
17,8 mm

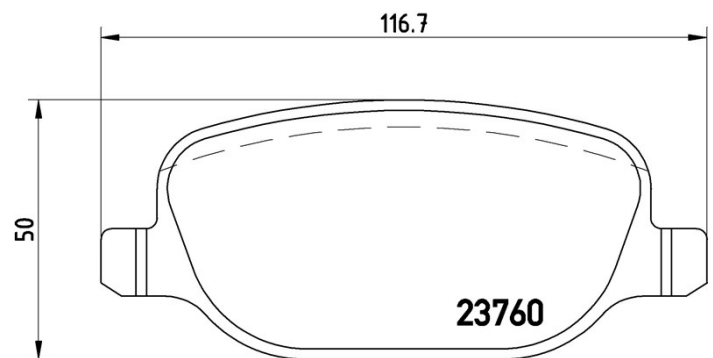
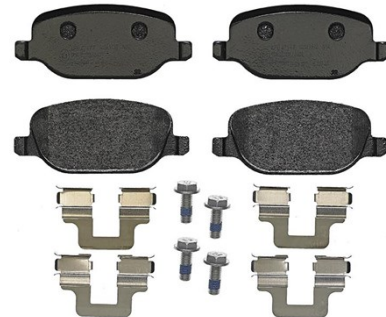
Höhe
50 mm

Bremssystem
Lucas

Eigenschaften
Mit Bremssattelschrauben

Verschleißanzeiger
Ohne

EAN-Code
8020584059814



Kompat. Fahrzq.

ALFA ROMEO

Modell	Typ	kW	Baujahr
159 (939_)	1.8 MPI (939AXL1A)	103	06/05 11/11
159 (939_)	1.9 JTDM 16V (939AXC1B, 939AXC12)	110	09/05 11/11
159 (939_)	1.9 JTDM 16V (939AXF1B, 939AXC1B)	100	09/05 11/11
159 (939_)	1.9 JTDM 8V	85	09/05 11/11
159 (939_)	1.9 JTDM 8V (939AXE1B)	88	09/05 11/11
159 (939_)	1.9 JTS (939AXA1B)	118	09/05 11/11
159 (939_)	2.0 JTDM (939AXP1B)	125	05/09 11/11
159 (939_)	2.0 JTDM (939AXQ1B)	120	05/09 11/11
159 (939_)	2.0 JTDM (939AXR1B)	100	06/10 11/11
159 (939_)	2.2 JTS (939AXB1B, 939AXB11)	136	09/05 11/11
159 Sportwagon (939_)	1.8 MPI (939BXL1A)	103	06/05 11/11

159 Sportwagon (939_)	1.9 JTDM 16V (939BXC1B)	100	03/06 11/11
159 Sportwagon (939_)	1.9 JTDM 16V (939BXC1B, 939BXC12)	110	03/06 11/11
159 Sportwagon (939_)	1.9 JTDM 8V	85	03/06 11/11
159 Sportwagon (939_)	1.9 JTDM 8V (939BXE1B)	88	03/06 11/11
159 Sportwagon (939_)	1.9 JTS (939BXA1B)	118	03/06 11/11
159 Sportwagon (939_)	2.0 JTDM (939BXP1B)	125	07/09 11/11
159 Sportwagon (939_)	2.0 JTDM (939BXQ1B)	120	05/09 11/11
159 Sportwagon (939_)	2.0 JTDM (939BXR1B)	100	06/10 11/11
159 Sportwagon (939_)	2.2 JTS (939BXB1B, 939BXB11)	136	03/06 11/11
BRERA (939_)	2.0 JTDM	120	03/08 06/10
BRERA (939_)	2.0 JTDM	125	05/09 06/10
BRERA (939_)	2.2 JTS (939.DXB11)	136	01/06 05/11
SPIDER (939_)	2.0 JTDM	120	04/09 06/10
SPIDER (939_)	2.0 JTDM	125	05/09 06/10
SPIDER (939_)	2.2 JTS	136	03/06 03/11
LANCIA			
Modell	Typ	kW	Baujahr
DELTA III (844_)	1.8	147	01/09 08/14

OE-Teilenr.

Passende OE-Teilenummern

ALFA ROMEO	77363579
ALFA ROMEO	77363818
FIAT	71773138
LANCIA	9949203