

Bremsbeläge, technische Daten

Achse
Vorne

WVA
21378, 21379, 21380

Breite
130 mm

Stärke
15 mm

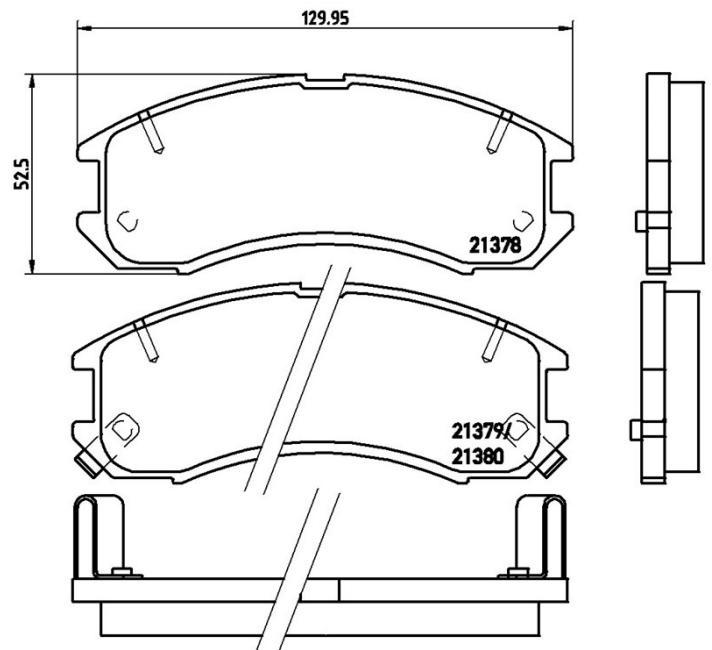
Höhe
52,5 mm

Bremssystem
Akebono

Eigenschaften

Verschleißanzeiger
Akustische

EAN-Code
8020584051962



Kompat. Fahrzeug.

FORD AUSTRALIA

| Modell | Typ | kW | Baujahr |
|------------------------|-------------------|-----|-------------|
| TELSTAR Hatchback (AT) | 2.0 TX5 | 70 | 11/87 09/89 |
| TELSTAR Hatchback (AT) | 2.2 | 85 | 11/87 09/89 |
| TELSTAR Hatchback (AT) | 2.2 TX5 EFi Turbo | 100 | 11/87 09/89 |
| TELSTAR Hatchback (AV) | 2.2 TX5 EFi | 86 | 01/90 01/92 |
| TELSTAR Hatchback (AV) | 2.2 TX5 EFi Turbo | 100 | 01/90 01/92 |
| TELSTAR Saloon (AT) | 2.0 | 70 | 11/87 09/89 |
| TELSTAR Saloon (AT) | 2.2 | 85 | 11/87 09/89 |

FORD USA

| Modell | Typ | kW | Baujahr |
|---------|--------|-----|-------------|
| PROBE I | 2.2 | 82 | 08/88 07/93 |
| PROBE I | 2.2 GT | 108 | 08/88 12/92 |
| PROBE I | 3.0 V6 | 104 | 08/88 07/93 |

MAZDA

| Modell | Typ | kW | Baujahr |
|------------------------|-------------|-----|-------------|
| 626 II (GC) | 2.0 i Turbo | 87 | 01/86 10/87 |
| 626 III (GD) | 1.6 | 60 | 06/87 05/92 |
| 626 III (GD) | 1.8 | 65 | 11/87 05/92 |
| 626 III (GD) | 2.0 | 66 | 09/87 10/90 |
| 626 III (GD) | 2.0 12V | 79 | 09/87 05/92 |
| 626 III (GD) | 2.0 16V | 109 | 07/87 09/89 |
| 626 III (GD) | 2.0 16V | 103 | 11/87 05/92 |
| 626 III (GD) | 2.0 D | 44 | 07/87 07/91 |
| 626 III (GD) | 2.2 12V | 85 | 11/87 07/91 |
| 626 III (GD) | 2.2 12V 4WD | 85 | 01/90 05/92 |
| 626 III Coupe (GD) | 1.8 | 65 | 09/87 08/91 |
| 626 III Coupe (GD) | 2.0 | 66 | 09/87 10/90 |
| 626 III Coupe (GD) | 2.0 12V | 79 | 09/87 12/88 |
| 626 III Coupe (GD) | 2.0 16V | 109 | 06/87 09/89 |
| 626 III Coupe (GD) | 2.0 16V | 103 | 12/87 10/90 |
| 626 III Coupe (GD) | 2.2 12V | 85 | 04/88 12/91 |
| 626 III Hatchback (GD) | 1.6 | 60 | 06/87 05/92 |
| 626 III Hatchback (GD) | 1.8 | 65 | 11/87 05/92 |
| 626 III Hatchback (GD) | 1.8 | 69 | 11/87 05/92 |
| 626 III Hatchback (GD) | 2.0 | 66 | 09/87 10/90 |
| 626 III Hatchback (GD) | 2.0 | 74 | 10/87 07/89 |
| 626 III Hatchback (GD) | 2.0 12V | 79 | 11/87 05/92 |
| 626 III Hatchback (GD) | 2.0 16V | 109 | 06/87 08/89 |
| 626 III Hatchback (GD) | 2.0 16V | 103 | 11/87 10/90 |
| 626 III Hatchback (GD) | 2.0 4x4 | 110 | 08/89 07/91 |
| 626 III Hatchback (GD) | 2.0 D | 44 | 07/87 07/91 |
| 626 III Hatchback (GD) | 2.2 12V | 85 | 06/88 04/92 |
| 626 III Hatchback (GD) | 2.2 12V 4WD | 85 | 11/87 07/90 |

| | | | |
|----------------------------|---------------|-----|-------------|
| 626 III Hatchback (GD) | 2.2 i Turbo | 100 | 10/87 12/91 |
| 626 III Station Wagon (GV) | 1.8 | 65 | 01/88 03/92 |
| 626 III Station Wagon (GV) | 1.8 | 66 | 10/89 03/92 |
| 626 III Station Wagon (GV) | 2.0 | 66 | 10/88 09/97 |
| 626 III Station Wagon (GV) | 2.0 12V | 81 | 09/87 01/90 |
| 626 III Station Wagon (GV) | 2.0 16V | 103 | 01/88 03/92 |
| 626 III Station Wagon (GV) | 2.0 D | 44 | 09/88 07/91 |
| 626 III Station Wagon (GV) | 2.0 D | 60 | 11/94 09/97 |
| 626 III Station Wagon (GV) | 2.0 D Complex | 55 | 05/93 11/96 |
| 626 III Station Wagon (GV) | 2.0 GLX | 86 | 04/92 02/95 |
| 626 III Station Wagon (GV) | 2.0 i 16V | 110 | 10/88 09/97 |
| 626 III Station Wagon (GV) | 2.2 12V | 85 | 03/89 11/96 |
| 626 III Station Wagon (GV) | 2.2 12V 4WD | 85 | 05/91 11/92 |

OE-Teilenr.

Passende OE-Teilenummern

| | |
|-------|------------|
| FORD | 3477468 |
| FORD | 3521846 |
| FORD | 3521847 |
| FORD | E92Z2001A |
| MAZDA | 1U0H3328Z |
| MAZDA | 1U0K3328Z |
| MAZDA | 1U0S3328Z |
| MAZDA | 1U0U3328Z |
| MAZDA | E92Z2001B |
| MAZDA | F32Z2001A |
| MAZDA | G1YH3323Z |
| MAZDA | G1YH3328Z |
| MAZDA | G2113328Z |
| MAZDA | G2123328ZA |
| MAZDA | G2253328Z |
| MAZDA | G2353328Z |
| MAZDA | G7173328Z |
| MAZDA | G7183328Z |

| | |
|------------|-------------|
| MAZDA | G7183328ZA |
| MAZDA | GJ213328Z |
| MAZDA | GJ213328ZA |
| MAZDA | GJ213328ZB |
| MAZDA | GJY13328Z |
| MAZDA | GJY13328Z9A |
| MAZDA | GN513323Z |
| MAZDA | GN513328Z |
| MAZDA | GN513328Z9A |
| MAZDA | GN603323Z |
| MITSUBISHI | GN603328Z |
| NISSAN | AY040MA002 |