

Bremsbeläge, technische Daten

Achse
Hinten

WVA
23652, 23653, 23736

Breite
88,8 mm

Stärke
14,8 mm

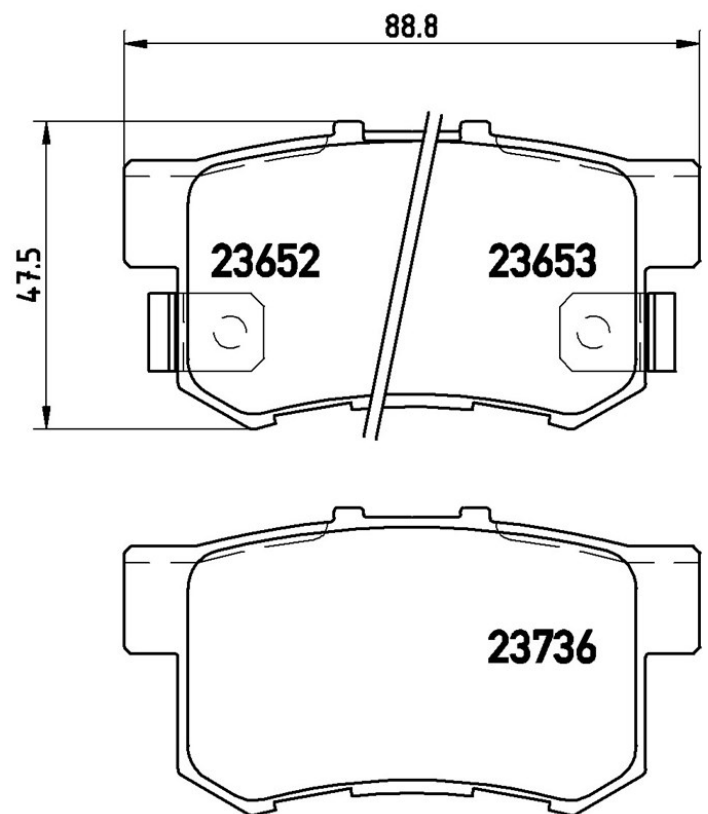
Höhe
47,5 mm

Bremssystem
Nissin

Eigenschaften

Verschleißanzeiger
Akustische

EAN-Code
8020584059753



Kompat. Fahrzg.

ACURA				
Modell	Typ	kW	Baujahr	
RDX	2.3 Turbo All-wheel Drive	179	04/06 12/12	
RL	3.5	153	10/00 09/04	
RL	3.5	151	10/95 09/00	
TL	3.2	147	06/95 09/98	
TL (UC_)	3.2	190	08/05 12/08	

HONDA

Modell	Typ	kW	Baujahr
ACCORD VII (CL, CN)	2.0 (CL7)	114	02/03 05/08
ACCORD VII (CL, CN)	2.0 All-wheel Drive (CL8)	114	02/03 05/08
ACCORD VII (CL, CN)	2.4	124	01/06 07/08
ACCORD VII (CL, CN)	2.4	113	09/06 05/08
ACCORD VII (CL, CN)	2.4 (CL9)	140	02/03 05/08
ACCORD VII (CL, CN)	2.4 Vtec	119	01/03 12/05
ACCORD VII (CL, CN)	2.4 Vtec	122	04/06 07/08
ACCORD VII (CL, CN)	3.0	182	04/06 05/08
ACCORD VII (CM)	2.4 Vtec E (CM5)	125	06/06 01/08
ACCORD VII (CM)	2.4 Vtec E (CM5)	118	09/02 12/05
ACCORD VII (CM)	3.0 (CM6)	177	05/03 12/05
ACCORD VII Tourer (CM, CN)	2.0 (CM1)	114	04/03 05/08
ACCORD VII Tourer (CM, CN)	2.4 (CM2)	140	04/03 05/08
ACCORD VII Tourer (CM, CN)	2.4 Vtec E	118	09/03 09/05
CIVIC VII Coupe (EM2)	1.6 i	81	02/01 12/05
CIVIC VII Coupe (EM2)	1.7 i	88	05/01 12/05
CIVIC VII Coupe (EM2)	1.7 i VTEC	92	05/01 12/05
CIVIC VII Hatchback (EU, EP, EV)	1.4 i	55	02/01 09/05
CIVIC VII Hatchback (EU, EP, EV)	1.4 iS (EP1)	66	02/01 09/05
CIVIC VII Hatchback (EU, EP, EV)	1.6 i	81	02/01 09/05
CIVIC VII Hatchback (EU, EP, EV)	2.0 i Sport	118	09/01 09/05
CIVIC VII Hatchback (EU, EP, EV)	2.0 Type-R	147	09/01 09/05
CIVIC VII Saloon (ES, ET)	1.2 i-DSI	58	04/01 10/04
CIVIC VII Saloon (ES, ET)	1.3 Hybrid (ES9)	69	09/02 12/05
CIVIC VII Saloon (ES, ET)	1.3 IMA (ED9, ES9)	61	10/03 09/05
CIVIC VII Saloon (ES, ET)	1.4 (ES4)	66	12/00 09/05
CIVIC VII Saloon (ES, ET)	1.6	81	02/01 09/05
CIVIC VII Saloon (ES, ET)	1.6	84	02/01 09/05
CIVIC VII Saloon (ES, ET)	1.7 (EU3)	85	02/01 09/05
CIVIC VIII Saloon (FD, FA)	1.3	85	02/06 -
CIVIC VIII Saloon (FD, FA)	1.3 Hybrid (FA3, FD3)	70	01/06 -
CIVIC VIII Saloon (FD, FA)	1.6	84	09/05 -

CIVIC VIII Saloon (FD, FA)	1.8 (FD1, FD7)	103	09/05 02/12
CIVIC VIII Saloon (FD, FA)	2.0 (FD2)	114	02/06 02/12
CR-V II (RD_)	2.0 (RD4)	110	09/01 03/07
CR-V II (RD_)	2.4 Vtec 4WD (RD7)	118	09/01 09/06
FR-V (BE)	1.7 (BE1)	92	08/04 -
FR-V (BE)	1.7 Vtec 4x4	92	08/04 09/06
FR-V (BE)	1.8 (BE1)	103	01/07 -
FR-V (BE)	2.0	114	08/04 09/06
FR-V (BE)	2.0 (BE3)	110	02/05 -
FR-V (BE)	2.0 4x4	114	08/04 09/06
FR-V (BE)	2.2 i CTDi (BE5)	103	07/05 -
PRELUDE V (BB_)	2.2 16V (BB6)	147	10/96 10/00
S2000 (AP)	2.0 (AP1)	177	06/99 -
S2000 (AP)	2.0 Vtec (AP1)	184	10/03 -
S2000 (AP)	2.2 Vtec	176	10/03 -
SHUTTLE (RA)	2.2 16V (RA1)	110	10/94 02/98
SHUTTLE (RA)	2.3 16V (RA3, RA6)	110	10/97 06/04
SHUTTLE (RA)	3.0 (RA8)	154	10/97 06/04
SHUTTLE (RA)	3.0 4x4	154	10/97 06/02
STREAM (RN)	1.7 16V (RN1)	92	05/01 -
STREAM (RN)	2.0 16V (RN3)	115	05/01 -

HONDA (GAC)

Modell	Typ	kW	Baujahr
ACCORD VII (CM_)	2.0	110	01/03 12/07
ACCORD VII (CM_)	2.4	119	01/03 12/07
ACCORD VII (CM_)	2.4	125	01/03 12/07
ACCORD VII (CM_)	3.0	177	01/03 12/07
ODYSSEY MPV (RA_)	2.3	110	04/02 12/04

OE-Teilernr.

Passende OE-Teilenummern

ACURA	43022S9AA01
ACURA	43022STKA00
ACURA	43022STKA01

HONDA	06430S6D000
HONDA	06430SEDE60
HONDA	43022S2A000
HONDA	43022S3N000
HONDA	43022S3N010
HONDA	43022S3NE50
HONDA	43022S7S010
HONDA	43022S9AA00
HONDA	43022S9AE51
HONDA	43022S9AE52
HONDA	43022SCVA01
HONDA	43022SEDE60
HONDA	43022SJFE00
HONDA	43022SV4A20
HONDA	43022SV4A22
HONDA	43022SV4A23
HONDA	43022SX0A50
HONDA	43022SX0A51
HONDA	43022SX0A52
HONDA	43022SZ3A01
HONDA	H4302S3N003
HONDA	H4302S7S003
HONDA	H4302SZ3003