

Bremsbeläge, technische Daten

Achse
Vorne

WVA
24342, 25351, 25352

Breite
154,6 mm

Stärke
17,8 mm

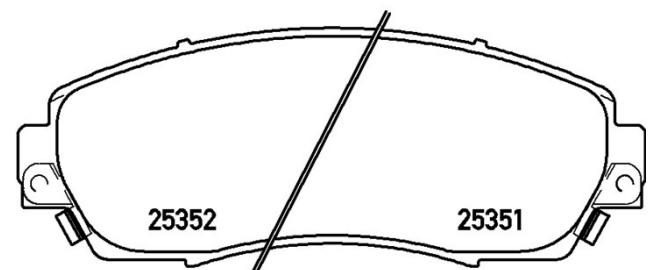
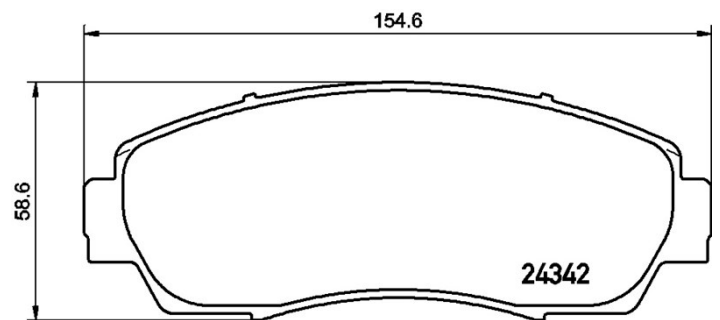
Höhe
58,6 mm

Bremssystem
Akebono

Eigenschaften
Mit Zubehör

Verschleißanzeiger
Akustische

EAN-Code
8020584104958



Kompat. Fahrzg.

ACURA				
Modell	Typ	kW	Baujahr	
RDX	2.3 Turbo All-wheel Drive	179	04/06 12/12	
HONDA				
Modell	Typ	kW	Baujahr	
CROSSTOUR	2.4	143	09/12 -	
CROSSTOUR	3.5	207	09/12 -	
CROSSTOUR	3.5	204	09/13 -	

CROSSTOUR	3.5 4WD	202	01/12 -
CROSSTOUR	3.5 4WD	207	09/12 -
CR-V IV (RM_)	1.6 i-DTEC 4WD	118	02/15 -
CR-V IV (RM_)	2.2 i-DTEC AWD (RE6)	110	10/12 -
CR-V IV (RM_)	2.4	138	01/12 -
CR-V IV (RM_)	2.4 4WD	136	01/12 -
CR-V IV (RM_)	2.4 AWD	138	09/15 -
CR-V IV (RM_)	2.4 AWD	132	01/12 -
CR-V IV (RM_)	2.4 AWD	140	01/12 -
CR-V IV (RM_)	2.4 AWD	136	01/15 -
CR-V V (RW_, RT_)	1.5 AWD (RW2)	142	12/16 -
CR-V V (RW_, RT_)	2.4 AWD	135	12/16 -
ODYSSEY (RC1, RC2, RC4)	2.0 Hybrid	107	02/16 -
ODYSSEY (RC1, RC2, RC4)	2.4 i-VTEC	129	12/13 -
ODYSSEY (RC1, RC2, RC4)	2.4 i-VTEC	136	12/13 -
ODYSSEY (RC1, RC2, RC4)	2.4 i-VTEC	140	12/13 -
ODYSSEY (RC1, RC2, RC4)	2.4 i-VTEC 4WD	129	12/13 -
ODYSSEY (RC1, RC2, RC4)	2.4 i-VTEC 4WD	140	12/13 -
ODYSSEY (RL1, RA6, RA_)	2.4	132	04/09 12/13
ODYSSEY (RL1, RA6, RA_)	2.4 i-VTEC	127	11/08 -
ODYSSEY (RL1, RA6, RA_)	2.4 i-VTEC 4x4	127	11/08 -
ODYSSEY (RL5)	3.5	185	08/10 -
HONDA (DONGFENG)			
Modell	Typ	kW	Baujahr
CR-V (RE_)	2.0	110	04/07 12/12
CR-V (RE_)	2.0 All-wheel Drive	110	03/07 12/12
CR-V (RE_)	2.4 All-wheel Drive	125	03/07 12/13
CR-V (RM_)	2.0	114	02/12 -
CR-V (RM_)	2.0 4WD	114	02/12 -
CR-V (RM_)	2.4 4WD	140	02/12 12/15
HONDA (GAC)			
Modell	Typ	kW	Baujahr
CROSSTOUR (TF_)	3.5	206	10/10 12/14

OE-Teilnr.

Passende OE-Teilenummern

ACURA	45022SHJ405
ACURA	45022SHJ415
ACURA	45022SHJA50
ACURA	45022STKA00
HONDA	45022SHJA00
HONDA	45022SHJA51
HONDA	45022T0AA00
HONDA	45022T0AA01
HONDA	45022T1GG00
HONDA	45022T1GG01
HONDA	45022TK8A00
HONDA	45022TK8A01
HONDA	45022TP6A60
HONDA	H4502SHJ003