

## Bremsbeläge, technische Daten

**Achse**  
Hinten

**WVA**  
24276, 24479, 24480

**Breite**  
92,5 mm

**Stärke**  
14,8 mm

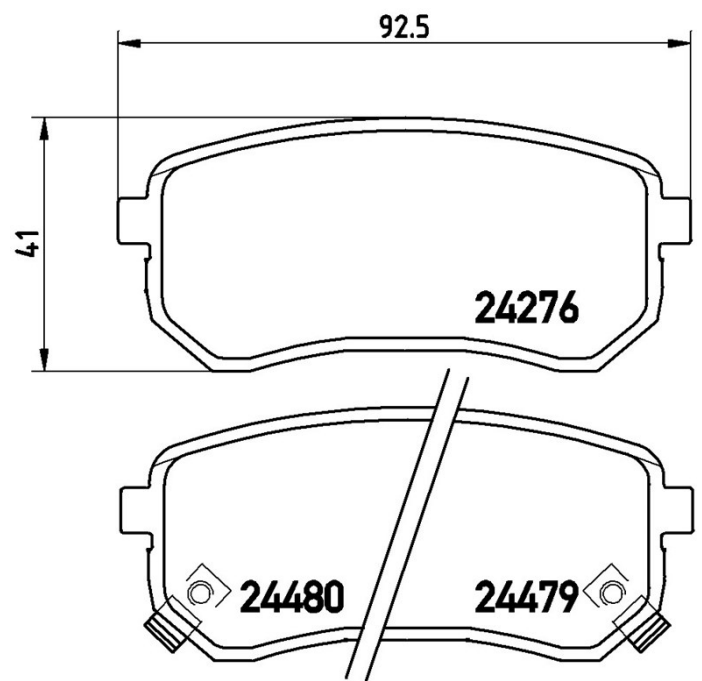
**Höhe**  
41 mm

**Bremssystem**  
Mando

**Eigenschaften**

**Verschleißanzeiger**  
Akustische

**EAN-Code**  
8020584060711



## Kompat. Fahrzeug.

DODGE			
Modell	Typ	kW	Baujahr
i 10	1.1	49	09/11 -

HYUNDAI			
Modell	Typ	kW	Baujahr
i10 (BA, IA)	1,0 LPG	49	02/14 -
i10 (BA, IA)	1.0	49	08/13 -
i10 (BA, IA)	1.2	64	12/13 -
i10 (PA)	1.0	51	01/11 12/17

i10 (PA)	1.1	49	01/08 12/13
i10 (PA)	1.1	51	04/11 12/13
i10 (PA)	1.1	50	11/08 12/13
i10 (PA)	1.1	48	12/07 12/13
i10 (PA)	1.1 CRDi	55	01/08 12/11
i10 (PA)	1.1 LPG	51	04/11 12/13
i10 (PA)	1.2	63	04/11 12/13
i10 (PA)	1.2	57	11/08 12/11
i10 Saloon	1.2	64	08/15 -

#### HYUNDAI (BEIJING)

Modell	Typ	kW	Baujahr
ELANTRA / LANGDONG	1.6	94	08/12 -
ELANTRA / LANGDONG	1.8	107	08/12 -

#### KIA

Modell	Typ	kW	Baujahr
PICANTO (SA)	1.0	45	04/04 -
PICANTO (SA)	1.0	53	04/04 04/11
PICANTO (SA)	1.0	46	09/07 -
PICANTO (SA)	1.1	48	04/04 -
PICANTO (SA)	1.1 CRDi	55	11/05 -
PICANTO (TA)	1.0	49	04/15 -
PICANTO (TA)	1.0	51	05/11 -
PICANTO (TA)	1.0 Bi-Fuel	60	05/11 -
PICANTO (TA)	1.0 LPG	49	08/13 -
PICANTO (TA)	1.2	63	09/11 -
PICANTO Hatchback Van	1.0	57	11/14 -

#### KIA (DYK)

Modell	Typ	kW	Baujahr
SPORTAGE-R Closed Off-Road Vehicle	2.0	120	10/10 12/11
SPORTAGE-R Closed Off-Road Vehicle	2.0 4WD	120	10/10 12/11
SPORTAGE-R Closed Off-Road Vehicle	2.4 4WD	128	10/10 -

### OE-Teilernr.

Passende OE-Teilenummern

HYUNDAI 583020XA00

---

KIA 5830207A00

---

KIA 5830207A10

---

KIA 583020XA00

---