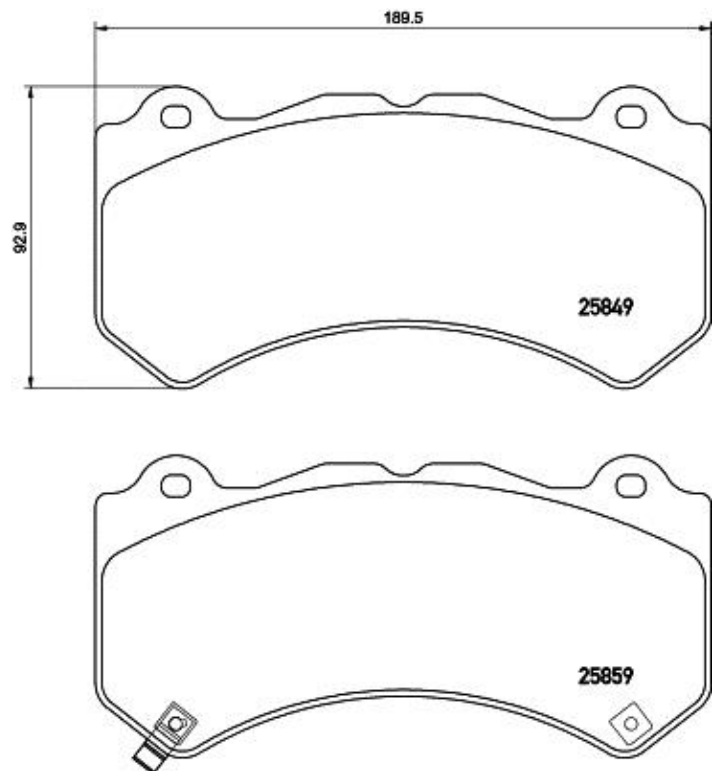


## Bremsbeläge, technische Daten

<b>Achse</b> Vorne	<b>WVA</b> 25849, 25859
<b>Breite</b> 189,6 mm	<b>Stärke</b> 15,4 mm
<b>Höhe</b> 93 mm	<b>Bremssystem</b> Brembo
<b>Eigenschaften</b>	<b>Verschleißanzeiger</b> Akustische
<b>EAN-Code</b> 8020584080054	



## Kompat. Fahrzg.

DODGE			
Modell	Typ	kW	Baujahr
CHALLENGER Coupe	3.6 Flexfuel	227	09/10 -
CHARGER	6.2 SRT Hellcat	527	09/14 -
CHARGER	6.4 SRT8	351	09/11 -
JEEP			
Modell	Typ	kW	Baujahr
GRAND CHEROKEE IV (WK, WK2)	3.0 4x4	175	09/14 -

GRAND CHEROKEE IV (WK, WK2)	3.0 CRD	179	09/13 -
GRAND CHEROKEE IV (WK, WK2)	3.0 CRD V6 4x4	160	01/11 -
GRAND CHEROKEE IV (WK, WK2)	3.0 CRD V6 4x4	184	07/13 -
GRAND CHEROKEE IV (WK, WK2)	3.0 TD V6 4x4	179	04/14 -
GRAND CHEROKEE IV (WK, WK2)	3.0 V6 4x4	172	06/13 -
GRAND CHEROKEE IV (WK, WK2)	3.6 V6	209	11/10 -
GRAND CHEROKEE IV (WK, WK2)	3.6 V6 4x4	207	11/10 -
GRAND CHEROKEE IV (WK, WK2)	5.7 4x4	268	01/11 -
GRAND CHEROKEE IV (WK, WK2)	6.4 SRT8 4x4	350	09/11 -
GRAND CHEROKEE IV (WK, WK2)	6.4 SRT8 4x4	344	03/11 -

## NISSAN

Modell	Typ	kW	Baujahr
GT-R (R35)	NISMO	441	07/14 -
GT-R (R35)	V6	421	09/16 -
GT-R (R35)	V6	397	07/12 -
GT-R (R35)	V6	401	06/13 -
GT-R (R35)	V6	419	06/16 -
GT-R (R35)	V6	404	10/11 -

## OE-Teilenr.

### Passende OE-Teilenummern

CADILLAC	07859031
CADILLAC	25940447
CHEVROLET	25940447
DODGE	00K68248384AB
DODGE	68248384AB
JEEP	00K68144427AA
JEEP	00K68144427AB
JEEP	00K68303052AA
JEEP	68144427AA
JEEP	68144427AB
JEEP	68303052AA
NISSAN	D106080B0A
NISSAN	D1060JF20D