



BRAKE PAD

P 49 067

The P 49 067 brake pad is synonymous with reliability

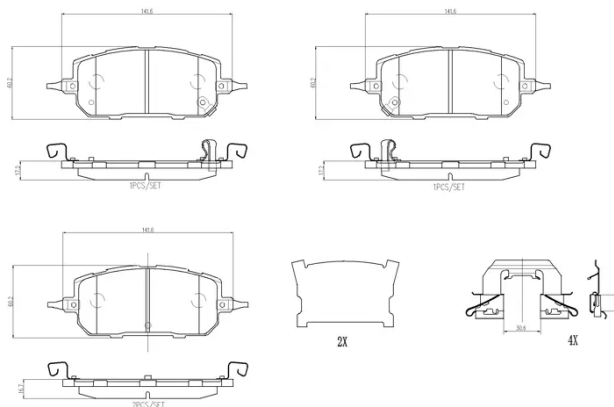
The Brembo brake pad guarantees ultimate safety when braking thanks to the use of more than 100 different compounds, designed according to the type of vehicle and use. Stopping distances reduced to a minimum, maximum driving comfort and silent operation are the most important features of Brembo materials. Brembo brake pads are supplied together with an extensive range of accessories and assembly kits for professional-standard installation.

- ✓ OE-equivalent
- ✓ Brembo quality
- ✓ ECE-R90 certificate
- ✓ Safety
- ✓ Performance
- ✓ Comfort



Technical specifications

EAN code 8020584125724	Axle Front	Thickness 16 mm
Width 142 mm	Height 60 mm	
Wear indicator Acoustic	WVA number 26506,26507,26508	Accessories With anti-squeal shim



COMPATIBLE VEHICLES

COMPATIBLE OE PART NUMBERS

DNYJ3328Z	MAZDA
DNYJ3328ZA	MAZDA
DNYJ3328ZB	MAZDA
DNYJ3328ZC	MAZDA
VAY03328Z	MAZDA
DNYJ3328ZC	MAZDA (CHANGAN)