

## Bremsbeläge, technische Daten

**Achse**  
Vorne

**WVA**  
21153

**Breite**  
99,7 mm

**Stärke**  
17,5 mm

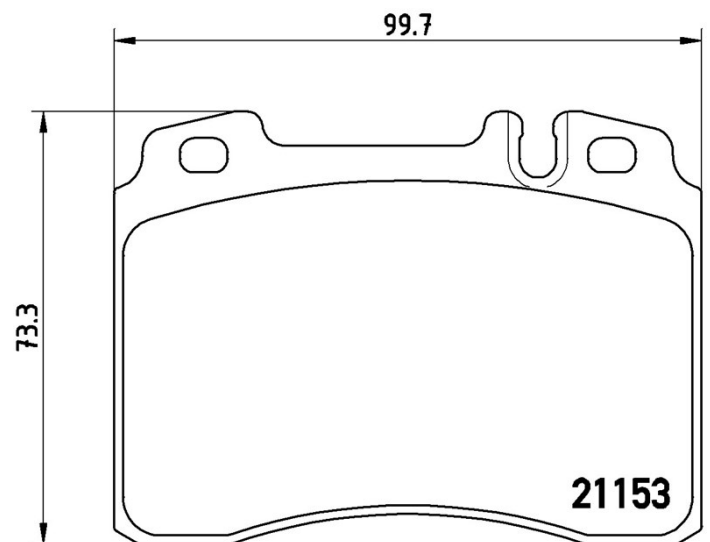
**Höhe**  
73,3 mm

**Bremssystem**  
Teves

**Eigenschaften**

**Verschleißanzeiger**  
Vorbereitung

**EAN-Code**  
8020584053829



## Kompat. Fahrzng.

### MERCEDES-BENZ

Modell	Typ	kW	Baujahr
190 (W201)	E Evolution II 2.5	173	05/90 08/93
CABRIOLET (A124)	300 CE-24 (124.061)	162	04/92 06/93
CABRIOLET (A124)	300 CE-24 (124.061)	170	04/92 06/93
C-CLASS (W202)	C 36 AMG (202.028)	206	05/94 05/00
CLK (C208)	430 (208.370)	205	07/98 06/02
CLK Convertible (A208)	430 (208.470)	205	09/98 03/02
COUPE (C124)	300 CE-24 (124.051)	162	09/89 12/92
COUPE (C124)	300 CE-24 (124.051)	170	09/89 12/92
COUPE (C124)	320 CE (124.052)	162	10/92 05/93
E-CLASS (W124)	E 280 (124.028)	145	06/93 06/95

E-CLASS (W124)	E 280 (124.029)	142	06/93 06/95
E-CLASS (W124)	E 320 (124.032)	162	06/93 06/95
E-CLASS (W124)	E 36 AMG	200	07/94 01/95
E-CLASS (W124)	E 420 (124.034)	205	06/93 06/95
E-CLASS (W124)	E 500 (124.036)	235	06/93 06/95
E-CLASS (W210)	E 420 (210.072)	205	01/96 06/97
E-CLASS (W210)	E 430 (210.070)	205	06/97 03/02
E-CLASS (W210)	E 50 AMG (210.072)	255	02/96 08/97
E-CLASS Convertible (A124)	E 320 (124.066)	162	06/93 03/98
E-CLASS Coupe (C124)	E 320 (124.052)	162	06/93 06/97
E-CLASS T-Model (S124)	E 280 T (124.088)	142	06/93 06/96
E-CLASS T-Model (S124)	E 280 T (124.088)	145	06/93 06/96
E-CLASS T-Model (S124)	E 320 T (124.092)	162	06/93 06/96
E-CLASS T-Model (S210)	E 420 T (210.272)	205	06/96 06/97
E-CLASS T-Model (S210)	E 430 T (210.270)	205	06/97 03/03
KOMBI T-Model (S124)	280 TE (124.088)	145	10/92 06/93
KOMBI T-Model (S124)	300 TE-24 (124.091)	162	09/89 08/92
KOMBI T-Model (S124)	300 TE-24 (124.091)	170	09/89 08/92
KOMBI T-Model (S124)	320 TE (124.092)	162	10/92 06/93
SALOON (W124)	280 E (124.028)	145	10/92 06/93
SALOON (W124)	300 E-24 (124.031)	162	09/88 08/92
SALOON (W124)	300 E-24 (124.031)	170	09/88 08/92
SALOON (W124)	320 E (124.032)	162	10/92 06/93
SALOON (W124)	400 E 4.2 (124.034)	205	10/92 06/93
SALOON (W124)	500 E (124.036)	240	01/91 06/93
SL (R129)	280 (129.058)	142	08/93 10/01
SL (R129)	280 (129.059)	150	05/98 10/01
SL (R129)	300 SL (129.060)	140	03/89 08/93
SL (R129)	300 SL-24 (129.061)	170	03/89 07/93
SL (R129)	320 (129.063)	170	09/93 10/01
SL (R129)	320 (129.064)	165	05/98 10/01
SL (R129)	500 (129.067)	235	09/92 10/01
SL (R129)	500 (129.068)	225	05/98 10/01
SL (R129)	500 SL (129.066)	240	09/89 08/92

SL (R129)	55 AMG	350	08/99 07/01
SL (R129)	55 AMG	260	03/00 10/01
SL (R129)	60 AMG (129.067)	280	05/97 10/01
SL (R129)	600 (129.076)	290	07/92 10/01
SL (R129)	600 SL (129.076)	300	02/92 08/94
SL (R129)	SL 320	162	09/94 12/97
SL (R129)	SL 60 AMG (129.067)	284	09/96 12/99

## OE-Teilenr.

### Passende OE-Teilenummern

MERCEDES-BENZ	0014209420
MERCEDES-BENZ	0014209820
MERCEDES-BENZ	0024201520
MERCEDES-BENZ	002420152005
MERCEDES-BENZ	0054200220
MERCEDES-BENZ	A0014209420
MERCEDES-BENZ	A0014209820
MERCEDES-BENZ	A0024201520
MERCEDES-BENZ	A002420152005
MERCEDES-BENZ	A0054200220