

Bremsbeläge, technische Daten

Achse

Hinten

WVA

20687

Breite

61,6 mm

Stärke

15,5 mm

Höhe

54,3 mm

Bremssystem

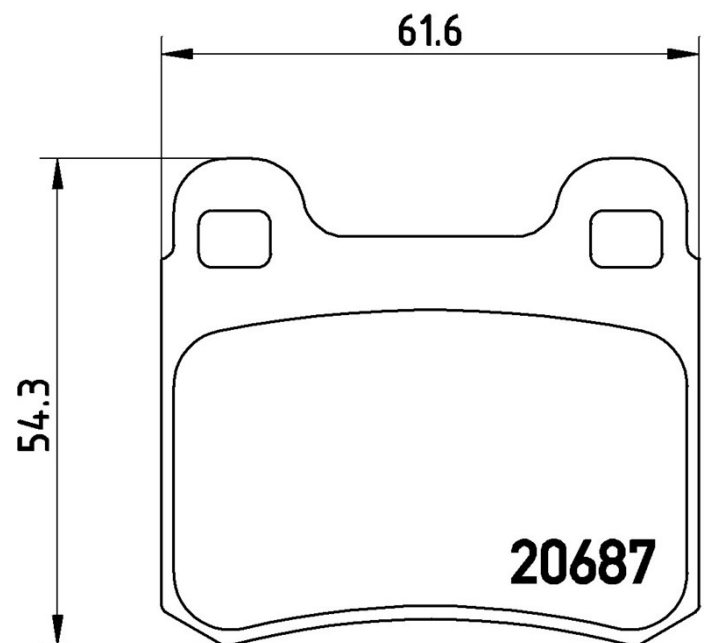
Teves

Eigenschaften**Verschleißanzeiger**

Ohne

**EAN-Code**

8020584053850



Kompat. Fahrz.

MERCEDES-BENZ

Modell	Typ	kW	Baujahr
190 (W201)	E 2.3-16	130	09/85 08/88
190 (W201)	E 2.3-16	125	09/85 12/87
190 (W201)	E 2.3-16 (201.034)	136	04/84 01/87
190 (W201)	E 2.5-16	143	03/89 08/93
190 (W201)	E 2.5-16	150	09/88 08/93
C-CLASS (W202)	C 180 (202.018)	90	03/93 05/00
C-CLASS (W202)	C 180 (202.018)	89	11/94 05/00
C-CLASS (W202)	C 200 (202.020)	100	01/94 05/00

C-CLASS (W202)	C 200 D (202.120)	55	03/93 05/00
C-CLASS (W202)	C 200 D (202.122)	65	10/96 05/00
C-CLASS (W202)	C 220 (202.022)	110	03/93 05/00
C-CLASS (W202)	C 220 D (202.021)	55	07/96 05/00
C-CLASS (W202)	C 220 D (202.121)	70	08/93 05/00
C-CLASS (W202)	C 230 (202.023)	110	06/96 06/97
C-CLASS (W202)	C 250 D (202.125)	83	05/93 05/00
C-CLASS (W202)	C 280 (202.028)	142	05/93 05/00
COUPE (C124)	220 CE (124.042)	110	10/92 05/93
COUPE (C124)	230 CE (124.043)	97	03/87 12/92
COUPE (C124)	230 CE (124.043)	100	03/87 12/92
COUPE (C124)	230 CE Cat (124.043)	97	06/89 12/92
COUPE (C124)	300 CE	138	03/87 12/89
COUPE (C124)	300 CE (124.050)	132	03/87 05/93
E-CLASS (W124)	E 200 (124.019)	100	06/93 06/95
E-CLASS (W124)	E 200 D (124.120)	55	06/93 06/95
E-CLASS (W124)	E 220 (124.022)	110	06/93 06/95
E-CLASS (W124)	E 250 D (124.126, 124.129)	83	07/93 06/95
E-CLASS (W124)	E 250 Turbo-D (124.128)	93	06/93 06/95
E-CLASS (W124)	E 280 (124.028)	145	06/93 06/95
E-CLASS (W124)	E 280 (124.029)	142	06/93 06/95
E-CLASS (W124)	E 300 4-matic (124.230)	132	06/93 06/95
E-CLASS (W124)	E 300 D (124.131)	100	07/93 06/95
E-CLASS (W124)	E 300 Turbo-D (124.133)	108	06/93 06/95
E-CLASS (W124)	E 300 Turbo-D 4-matic (124.333)	108	06/93 06/95
E-CLASS Coupe (C124)	E 200 (124.040)	100	06/93 06/97
E-CLASS Coupe (C124)	E 220 (124.042)	110	06/93 06/97
SALOON (W124)	200	77	01/86 10/92
SALOON (W124)	200 (124.020)	75	01/86 05/90
SALOON (W124)	200 (124.020)	80	12/85 05/90
SALOON (W124)	200 D (124.120)	55	08/89 06/93
SALOON (W124)	200 D (124.120)	53	12/84 08/89
SALOON (W124)	200 E (124.019)	100	10/92 06/93

SALOON (W124)	200 E (124.021)	87	09/88 08/92
SALOON (W124)	200 E (124.021)	90	09/88 12/89
SALOON (W124)	220 E (124.022)	110	10/92 06/93
SALOON (W124)	230 E (124.023)	100	01/85 06/93
SALOON (W124)	230 E (124.023)	97	12/84 03/92
SALOON (W124)	230 E Cat (124.023)	97	06/89 06/93
SALOON (W124)	250 D (124.125)	69	01/89 06/93
SALOON (W124)	250 D (124.125)	66	04/85 06/93
SALOON (W124)	250 Turbo-D (124.128)	93	09/88 06/93
SALOON (W124)	260 E (124.026)	118	09/85 08/92
SALOON (W124)	260 E (124.026)	122	09/85 12/89
SALOON (W124)	260 E 4-matic (124.226)	118	09/86 08/92
SALOON (W124)	260 E 4-matic (124.226)	122	12/86 12/89
SALOON (W124)	280 E (124.028)	145	10/92 06/93
SALOON (W124)	300 D (124.130)	81	06/90 06/93
SALOON (W124)	300 D (124.130)	83	08/89 06/93
SALOON (W124)	300 D (124.130)	80	12/84 08/89
SALOON (W124)	300 D 4-matic (124.330)	83	08/89 06/93
SALOON (W124)	300 D 4-matic (124.330)	80	09/86 08/92
SALOON (W124)	300 E	138	01/85 12/85
SALOON (W124)	300 E	138	06/85 08/92
SALOON (W124)	300 E (124.030)	132	08/85 08/92
SALOON (W124)	300 E 4-matic	138	09/86 02/92
SALOON (W124)	300 E 4-matic (124.230)	132	09/86 06/93
SALOON (W124)	300 Turbo-D (124.133)	105	09/86 09/88
SALOON (W124)	300 Turbo-D (124.133)	108	09/88 06/93
SALOON (W124)	300 Turbo-D 4-matic (124.333)	108	01/88 06/93
SALOON (W124)	300 Turbo-D 4-matic (124.333)	105	09/86 09/88

OE-Teilenr.

Passende OE-Teilenummern

MERCEDES-BENZ	0004209820
MERCEDES-BENZ	A0004209820