



BRAKE PAD XTRA P 50 053X

The P 50 053X Xtra brake pad is synonymous with reliability

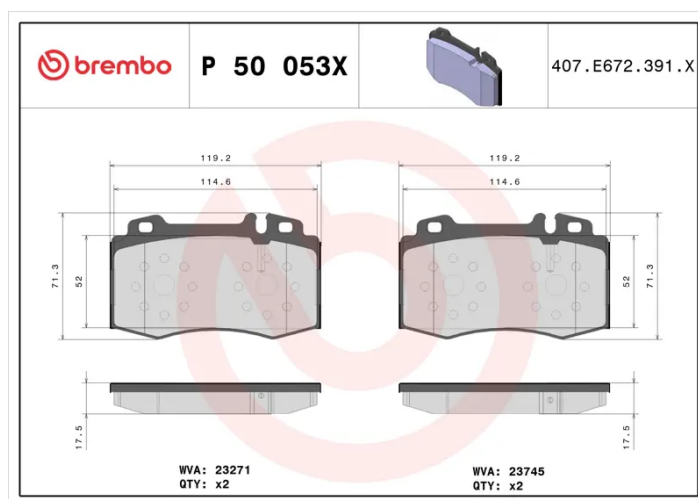
Brembo Xtra brake pads, developed to enhance the advantages of the Xtra and Max discs, are made using the special BRM X L01 compound which consists of more than 30 different components. Compared with the compound used for original-equivalent pads, the new solution assures a higher friction coefficient, which translates to more precise and stable braking, at both high and low temperatures. All this makes for greater driving comfort and improved pedal modularity, without compromising the product's mileage output.



- ✓ OE-equivalent
- ✓ Brembo quality
- ✓ ECE-R90 certificate
- ✓ Safety
- ✓ Performance
- ✓ Sports driving

Technical specifications

EAN code 8020584114995	Axle Front	Thickness 18 mm
Width 120 mm	Height 71 mm	Braking system Brembo
Wear indicator Prepared for wear indicator	WVA number 23271,23745	Accessories With anti-squeal shim



COMPATIBLE OE PART NUMBERS

0004208004 MERCEDES-BENZ

0004208404 MERCEDES-BENZ

0034205820 MERCEDES-BENZ

0044200520 MERCEDES-BENZ

004420052067 MERCEDES-BENZ

0044209020 MERCEDES-BENZ

0054209520 MERCEDES-BENZ

005420952041 MERCEDES-BENZ

0064203220 MERCEDES-BENZ

4420052067 MERCEDES-BENZ

A0004208004 MERCEDES-BENZ

A0004208404 MERCEDES-BENZ

A0034205820 MERCEDES-BENZ

A0044200520 MERCEDES-BENZ

A004420052067 MERCEDES-BENZ

A0044209020 MERCEDES-BENZ

A0054209520 MERCEDES-BENZ

A0064203220 MERCEDES-BENZ

A4420052067 MERCEDES-BENZ
