

## Bremsbeläge, technische Daten

### Achse

Vorne

### WVA

24306

### Breite

146 mm

### Stärke

20,6 mm

### Höhe

71,5 mm

### Bremssystem

Lucas

### Eigenschaften

Mit Zubehör

Mit Bremssattelschrauben

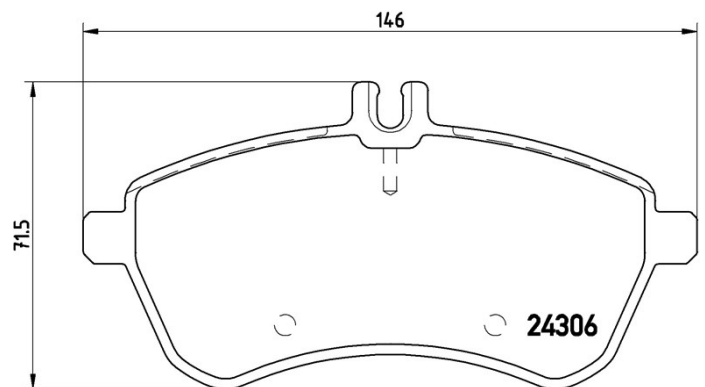
### Verschleißanzeiger

Vorbereitung



### EAN-Code

8020584061060



## Kompat. Fahrz.

### MERCEDES-BENZ

Modell	Typ	kW	Baujahr
C-CLASS (W204)	C 180 CDI (204.000)	88	01/11 01/14
C-CLASS (W204)	C 180 CGI (204.031)	115	01/08 01/14
C-CLASS (W204)	C 180 CGI (204.049)	115	01/07 01/14
C-CLASS (W204)	C 180 Kompressor (204.044, 204.045)	115	01/08 01/14
C-CLASS (W204)	C 180 Kompressor (204.046)	115	01/07 01/14
C-CLASS (W204)	C 200 (204.048)	137	05/11 01/14
C-CLASS (W204)	C 200 CDI (204.001)	100	01/11 01/14
C-CLASS (W204)	C 200 CDI (204.007, 204.006)	100	01/07 12/10
C-CLASS (W204)	C 200 CGI (204.048)	135	01/07 01/14
C-CLASS (W204)	C 200 Kompressor (204.041)	135	01/07 01/14
C-CLASS (W204)	C 220 CDI (204.002)	120	10/08 01/14
C-CLASS (W204)	C 220 CDI (204.002)	125	12/08 01/14

C-CLASS (W204)	C 220 CDI (204.008)	120	01/07 11/08
C-CLASS (W204)	C 220 CDI (204.008)	125	01/07 11/08
C-CLASS (W204)	C 220 CDI 4-matic (204.084)	125	02/13 01/14
C-CLASS (W204)	C 230 (204.052)	150	01/07 01/14
C-CLASS (W204)	C 230 4-matic (204.085)	150	07/07 01/14
C-CLASS (W204)	C 250 CDI (204.003)	150	08/08 01/14
C-CLASS (W204)	C 250 CDI 4-matic (204.082)	150	01/11 01/14
C-CLASS (W204)	C 250 CGI (204.047)	150	07/09 01/14
C-CLASS (W204)	C 280 (204.054)	170	01/07 01/14
C-CLASS (W204)	C 280 4-matic (204.081)	170	07/07 01/14
C-CLASS (W204)	C 300 (204.054)	170	07/09 01/14
C-CLASS (W204)	C 300 4-matic (204.081)	170	07/07 01/14
C-CLASS Coupe (C204)	C 180 (204.331)	115	01/13 -
C-CLASS Coupe (C204)	C 180 (204.349)	115	06/11 -
C-CLASS Coupe (C204)	C 200 CGI (204.348)	135	06/11 -
C-CLASS Coupe (C204)	C 220 CDI (204.302)	120	06/11 -
C-CLASS Coupe (C204)	C 220 CDI (204.302)	125	06/11 -
C-CLASS Coupe (C204)	C 250 (204.347)	150	06/11 -
C-CLASS Coupe (C204)	C 250 CDI (204.303)	150	06/11 -
C-CLASS T-Model (S204)	C 180 (204.231)	115	02/12 08/14
C-CLASS T-Model (S204)	C 180 CDI (204.200)	88	01/11 08/14
C-CLASS T-Model (S204)	C 180 CGI (204.249)	115	11/09 08/14
C-CLASS T-Model (S204)	C 180 Kompressor (204.245)	115	01/08 08/14
C-CLASS T-Model (S204)	C 180 Kompressor (204.246)	115	08/07 08/14
C-CLASS T-Model (S204)	C 200 CDI (204.201)	100	08/10 08/14
C-CLASS T-Model (S204)	C 200 CDI (204.207)	100	08/07 12/11
C-CLASS T-Model (S204)	C 200 CGI (204.248)	135	08/07 08/14
C-CLASS T-Model (S204)	C 200 Kompressor (204.241)	135	08/07 08/14
C-CLASS T-Model (S204)	C 220 CDI (204.202)	120	12/08 08/14
C-CLASS T-Model (S204)	C 220 CDI (204.202)	125	12/08 08/14
C-CLASS T-Model (S204)	C 220 CDI (204.208)	120	08/07 11/08
C-CLASS T-Model (S204)	C 220 CDI (204.208)	125	08/07 11/08
C-CLASS T-Model (S204)	C 220 CDI 4-matic (204.284)	125	02/13 08/14
C-CLASS T-Model (S204)	C 230 (204.252)	150	08/07 08/14

C-CLASS T-Model (S204)	C 250 CDI (204.203)	150	01/09 08/14
C-CLASS T-Model (S204)	C 250 CDI 4-matic (204.282)	150	04/10 08/14
C-CLASS T-Model (S204)	C 250 CGI (204.247)	150	07/09 08/14
C-CLASS T-Model (S204)	C 280 (204.254)	170	08/07 08/14
C-CLASS T-Model (S204)	C 300 (204.254)	170	08/07 08/14
E-CLASS (W212)	E 200 (212.034)	135	01/13 -
E-CLASS (W212)	E 200 CDI / BlueTEC (212.005, 212.006)	100	01/09 -
E-CLASS (W212)	E 200 CGI (212.048, 212.148)	135	08/09 -
E-CLASS (W212)	E 200 NGT (212.035)	115	07/13 -
E-CLASS (W212)	E 200 NGT (212.041)	120	03/11 -
E-CLASS (W212)	E 220 BlueTEC (212.001)	130	05/14 -
E-CLASS (W212)	E 220 CDI	120	01/09 -
E-CLASS (W212)	E 220 CDI / BlueTEC (212.001, 212.002)	125	01/09 -
E-CLASS (W212)	E 250 CDI / BlueTEC (212.003, 212.004)	150	01/09 -
E-CLASS (W212)	E 250 CDI / BlueTEC 4-matic (212.082, 212.097)	150	01/09 -
E-CLASS Convertible (A207)	E 200 (207.434)	135	03/13 -
E-CLASS Convertible (A207)	E 200 CGI (207.448)	135	01/10 -
E-CLASS Convertible (A207)	E 220 BlueTEC (207.401)	130	05/14 -
E-CLASS Convertible (A207)	E 220 CDI (207.402)	120	02/10 -
E-CLASS Convertible (A207)	E 220 CDI / BlueTEC / d (207.402, 207.401)	125	01/10 -
E-CLASS Convertible (A207)	E 250 CGI (207.447)	150	01/10 -
E-CLASS Coupe (C207)	E 200 (207.334)	135	06/13 -
E-CLASS Coupe (C207)	E 200 CGI (207.348)	135	01/10 -
E-CLASS Coupe (C207)	E 220 BlueTEC (207.301)	130	05/14 -
E-CLASS Coupe (C207)	E 220 CDI	120	07/14 -
E-CLASS Coupe (C207)	E 220 CDI / d (207.302, 207.301)	125	01/10 -
E-CLASS Coupe (C207)	E 250 CGI (207.347)	150	01/09 -
E-CLASS T-Model (S212)	E 200 (212.234)	135	11/12 -
E-CLASS T-Model (S212)	E 200 CDI / BlueTEC (212.205, 212.206)	100	11/09 -
E-CLASS T-Model (S212)	E 200 CGI (212.248)	135	11/09 -
E-CLASS T-Model (S212)	E 220 BlueTEC	130	05/15 -

E-CLASS T-Model (S212)	E 220 CDI (212.202)	120	08/09 -
E-CLASS T-Model (S212)	E 220 CDI / BlueTEC (212.202, 212.201)	125	11/09 -
SLC (R172)	180 (172.431)	115	01/16 -
SLK (R172)	200 (172.448)	135	02/11 -
SLK (R172)	250 (172.447)	150	02/11 -
SLK (R172)	250 CDI / d (172.403)	150	01/12 -

### MERCEDES-BENZ (BBDC)

Modell	Typ	kW	Baujahr
C-CLASS (W204)	C 180 (204.049)	115	08/13 12/14
C-CLASS (W204)	C 180 CGI	115	11/12 -
C-CLASS (W204)	C 180 K (204.045)	115	07/10 12/12
C-CLASS (W204)	C 200 (204.041)	135	03/08 12/09
C-CLASS (W204)	C 230 (204.052)	150	05/08 10/09
C-CLASS (W204)	C 260 (204.052)	150	01/09 12/10
C-CLASS (W204)	C 260 CGI (204.047)	150	10/09 12/14
C-CLASS (W204)	C 280 (204.054)	170	03/08 01/09
C-CLASS (W204)	C 300	180	07/11 12/14
C-CLASS (W204)	C 300 (204.054)	170	05/10 12/11

### OE-Teilnr.

#### Passende OE-Teilenummern

MERCEDES-BENZ	0054200820
MERCEDES-BENZ	0054201220
MERCEDES-BENZ	0074201620
MERCEDES-BENZ	0074205520
MERCEDES-BENZ	007420552095
MERCEDES-BENZ	0074205720
MERCEDES-BENZ	A0054200820
MERCEDES-BENZ	A0054201220
MERCEDES-BENZ	A0074201620
MERCEDES-BENZ	A0074205520
MERCEDES-BENZ	A007420552095
MERCEDES-BENZ	A0074205720