

## Bremsbeläge, technische Daten

**Achse**

Vorne

**WVA**

23945

**Breite**

101,6 mm

**Stärke**

16,5 mm

**Höhe**

80 mm

**Bremssystem**

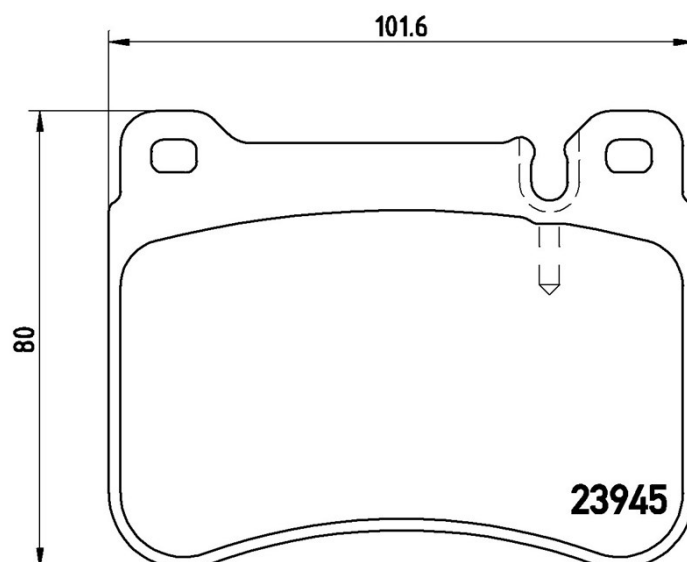
Brembo

**Eigenschaften****Verschleißanzeiger**

Vorbereitung

**EAN-Code**

8020584061121



## Kompat. Fahrzeug.

**MERCEDES-BENZ**

Modell	Typ	kW	Baujahr
C-CLASS (W203)	3.5 (203.056)	170	01/05 02/07
C-CLASS (W203)	C 180 Kompressor (203.046)	105	05/02 02/07
C-CLASS (W203)	C 200 CDI (203.007)	90	04/03 02/07
C-CLASS (W203)	C 200 CGI Kompressor (203.043)	125	07/03 02/07
C-CLASS (W203)	C 200 Kompressor (203.042)	120	05/02 02/07
C-CLASS (W203)	C 220 CDI (203.008)	110	02/03 02/07
C-CLASS (W203)	C 230 (203.052)	150	01/05 02/07
C-CLASS (W203)	C 230 Kompressor (203.040)	141	02/04 02/07
C-CLASS (W203)	C 240 (203.061)	125	05/00 02/07

C-CLASS (W203)	C 270 CDI (203.016)	120	12/00 02/07
C-CLASS (W203)	C 270 CDI (203.016)	125	12/00 02/07
C-CLASS (W203)	C 280 (203.054)	170	01/05 02/07
C-CLASS (W203)	C 280 4-matic (203.092)	170	01/05 02/07
C-CLASS (W203)	C 320 (203.064)	160	05/00 02/07
C-CLASS (W203)	C 320 CDI (203.020)	165	01/05 02/07
C-CLASS (W203)	C 350 (203.056)	200	01/05 02/07
C-CLASS Coupe (CL203)	C 350 (203.756)	200	01/05 05/08
C-CLASS T-Model (S203)	C 180 Kompressor (203.246)	105	05/02 08/07
C-CLASS T-Model (S203)	C 200 CDI (203.207)	90	04/03 08/07
C-CLASS T-Model (S203)	C 200 CGI Kompressor (203.243)	125	07/03 08/07
C-CLASS T-Model (S203)	C 200 Kompressor (203.242)	120	05/02 08/07
C-CLASS T-Model (S203)	C 220 CDI (203.208)	110	02/04 08/07
C-CLASS T-Model (S203)	C 230 (203.252)	150	01/05 08/07
C-CLASS T-Model (S203)	C 230 Kompressor (203.240)	141	02/04 08/07
C-CLASS T-Model (S203)	C 240 (203.261)	125	03/01 08/07
C-CLASS T-Model (S203)	C 270 CDI (203.216)	120	03/01 08/07
C-CLASS T-Model (S203)	C 270 CDI (203.216)	125	03/01 08/07
C-CLASS T-Model (S203)	C 280 (203.254)	170	01/05 08/07
C-CLASS T-Model (S203)	C 280 4-matic (203.292)	170	01/05 08/07
C-CLASS T-Model (S203)	C 320 (203.264)	160	03/01 08/07
C-CLASS T-Model (S203)	C 320 CDI (203.220)	165	06/05 08/07
C-CLASS T-Model (S203)	C 350 (203.256)	200	01/05 08/07
CLC-CLASS (CL203)	CLC 350 (203.756)	200	05/08 06/11
CLK (C209)	200 CGI (209.343)	125	07/03 05/09
CLK (C209)	200 Kompressor (209.341)	135	10/06 05/09
CLK (C209)	200 Kompressor (209.342)	120	09/02 05/09
CLK (C209)	220 CDI (209.308)	100	01/05 05/09
CLK (C209)	220 CDI (209.308)	110	01/05 05/09
CLK (C209)	270 CDI (209.316)	120	02/03 06/05
CLK (C209)	270 CDI (209.316)	125	10/02 05/09
CLK (C209)	280 (209.354)	170	01/05 05/09
CLK (C209)	320 CDI (209.320)	165	01/05 05/09

CLK (C209)	350 (209.356)	200	01/05 05/09
CLK Convertible (A209)	CLK 200 CGI (209.343)	125	07/03 03/10
CLK Convertible (A209)	CLK 200 Kompressor (209.441)	135	10/06 03/10
CLK Convertible (A209)	CLK 200 Kompressor (209.442)	120	02/03 03/10
CLK Convertible (A209)	CLK 280 (209.454)	170	01/05 03/10
CLK Convertible (A209)	CLK 320 CDI (209.420)	165	03/05 03/10
CLK Convertible (A209)	CLK 350 (209.456)	200	01/05 03/10
SLK (R171)	200 Kompressor (171.442)	120	03/04 02/11
SLK (R171)	200 Kompressor (171.445)	135	01/08 02/11
SLK (R171)	280 (171.454)	170	01/05 02/11
SLK (R171)	300 (171.454)	170	04/09 02/11
SLK (R171)	350 (171.456)	200	06/04 02/11
SLK (R171)	350 (171.458)	224	01/08 02/11

## OE-Teilnr.

### Passende OE-Teilnummern

MERCEDES-BENZ	0044205120
MERCEDES-BENZ	A0044205120