

Bremsbeläge, technische Daten

Achse

Hinten

WVA

23138

Breite

95,6 mm

Stärke

14,6 mm

Höhe

41,3 mm

Bremssystem

Lucas

Eigenschaften

Mit Zubehör

Mit Bremssattelschrauben

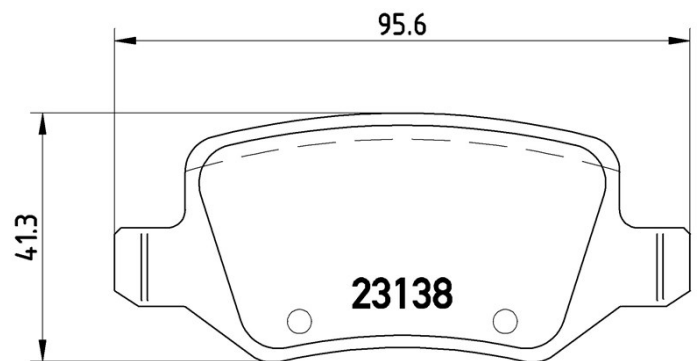
Verschleißanzeiger

Ohne



EAN-Code

8020584100318



Kompat. Fahrzg.

MERCEDES-BENZ

Modell	Typ	kW	Baujahr
A-CLASS (W169)	A 150 (169.031, 169.331)	70	09/04 06/12
A-CLASS (W169)	A 160 (169.031, 169.331)	70	04/09 06/12
A-CLASS (W169)	A 160 CDI (169.006, 169.306)	60	09/04 06/12
A-CLASS (W169)	A 170 (169.032, 169.332)	85	09/04 06/12
A-CLASS (W169)	A 180 (169.032, 169.332)	85	04/09 06/12
A-CLASS (W169)	A 180 CDI (169.007, 169.307)	80	09/04 06/12
A-CLASS (W169)	A 200 (169.033, 169.333)	100	09/04 06/12
A-CLASS (W169)	A 200 CDI (169.008, 169.308)	103	09/04 06/12
A-CLASS (W169)	A 200 CDI (169.308, 169.008)	100	09/04 06/12
A-CLASS (W169)	A 200 TURBO (169.034, 169.334)	142	09/05 06/12
A-CLASS (W169)	E-CELL (169.090)	50	12/10 06/12
B-CLASS (W245)	B 150 (245.231)	70	03/05 11/11

B-CLASS (W245)	B 160 (245.231)	70	04/09 11/11
B-CLASS (W245)	B 170 (245.232)	85	03/05 11/11
B-CLASS (W245)	B 170 NGT (245.233)	85	04/08 11/11
B-CLASS (W245)	B 180 (245.232)	85	04/09 11/11
B-CLASS (W245)	B 180 CDI (245.207)	80	03/05 11/11
B-CLASS (W245)	B 180 NGT (245.233)	85	04/08 11/11
B-CLASS (W245)	B 200 (245.233)	100	03/05 11/11
B-CLASS (W245)	B 200 CDI (245.208)	100	03/05 11/11
B-CLASS (W245)	B 200 CDI (245.208)	103	03/05 11/11
B-CLASS (W245)	B 200 TURBO (245.234)	142	03/05 11/11
B-CLASS (W245)	F-CELL (242.890)	77	01/10 11/11

OE-Teilenr.

Passende OE-Teilenummern

MERCEDES-BENZ	1694200420
MERCEDES-BENZ	1694201120
MERCEDES-BENZ	1694201420
MERCEDES-BENZ	1694201720
MERCEDES-BENZ	A1694200420
MERCEDES-BENZ	A1694201120
MERCEDES-BENZ	A1694201420
MERCEDES-BENZ	A1694201720