

Bremsbeläge, technische Daten

Achse
Hinten

WVA
24848

Breite
106,4 mm

Stärke
18,4 mm

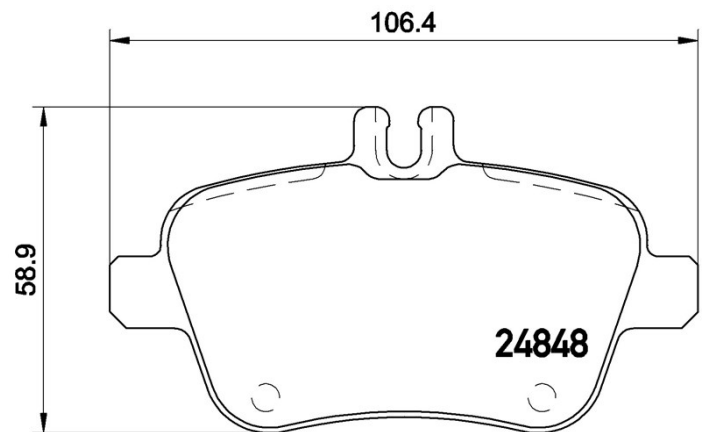
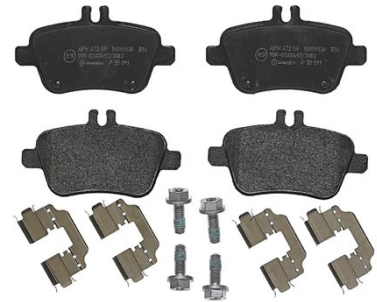
Höhe
58,9 mm

Bremssystem
TRW

Eigenschaften

Verschleißanzeiger
Vorbereitung

EAN-Code
8020584103234



Kompat. Fahrzg.

MERCEDES-BENZ

Modell	Typ	kW	Baujahr
A-CLASS (W176)	A 160 (176.041)	75	07/15 -
A-CLASS (W176)	A 160 CDI / d (176.011)	66	06/13 -
A-CLASS (W176)	A 180 (176.042)	90	06/12 -
A-CLASS (W176)	A 180 CDI (176.000)	80	06/12 -
A-CLASS (W176)	A 180 CDI / d (176.012)	80	06/12 -
A-CLASS (W176)	A 200 (176.043)	115	06/12 -
A-CLASS (W176)	A 200 CDI (176.001)	100	06/12 -
A-CLASS (W176)	A 200 CDI / d (176.008)	100	02/14 -
A-CLASS (W176)	A 200 CDI / d 4-matic (176.002)	100	02/14 -
A-CLASS (W176)	A 220 4-matic (176.047)	135	05/14 -
A-CLASS (W176)	A 220 CDI (176.003)	120	01/14 -

A-CLASS (W176)	A 220 CDI (176.003)	125	09/12 -
A-CLASS (W176)	A 220 CDI 4-matic (176.005)	125	09/12 -
A-CLASS (W176)	A 220 d (176.003)	130	07/15 -
A-CLASS (W176)	A 220 d 4-matic (176.005)	130	07/15 -
A-CLASS (W176)	A 250 (176.044)	155	06/12 06/15
A-CLASS (W176)	A 250 (176.050)	160	07/15 -
A-CLASS (W176)	A 250 4-matic (176.046)	155	06/12 06/15
A-CLASS (W176)	A 250 4-matic (176.051)	160	07/15 -
B-CLASS (W246, W242)	B 160 (246.241)	75	07/15 -
B-CLASS (W246, W242)	B 160 CDI / d (246.211)	66	05/13 -
B-CLASS (W246, W242)	B 180 (246.242)	90	11/11 -
B-CLASS (W246, W242)	B 180 CDI (246.200)	80	11/11 -
B-CLASS (W246, W242)	B 180 CDI / d (246.212)	80	02/13 -
B-CLASS (W246, W242)	B 200 (246.243)	115	11/11 -
B-CLASS (W246, W242)	B 200 CDI (246.201)	100	11/11 -
B-CLASS (W246, W242)	B 200 CDI / d (246.208)	100	08/14 -
B-CLASS (W246, W242)	B 200 CDI / d 4-matic (246.202)	100	08/14 -
B-CLASS (W246, W242)	B 200 Natural Gas Drive / B 200 c (242.848)	115	11/12 -
B-CLASS (W246, W242)	B 220 (246.245)	135	08/14 -
B-CLASS (W246, W242)	B 220 4-matic (246.247)	135	05/13 -
B-CLASS (W246, W242)	B 220 CDI / d (246.203)	125	11/11 -
B-CLASS (W246, W242)	B 220 CDI / d (246.203)	120	06/13 -
B-CLASS (W246, W242)	B 220 CDI / d (246.203)	130	09/14 -
B-CLASS (W246, W242)	B 220 CDI / d 4-matic (246.205)	130	09/14 -
B-CLASS (W246, W242)	B 250 (246.244)	155	05/12 -
B-CLASS (W246, W242)	B 250 4-matic (246.246)	155	08/14 -
B-CLASS (W246, W242)	Electric Drive / B 250 e (242.890)	65	11/14 10/17
B-CLASS (W246, W242)	Electric Drive / B 250 e (242.890)	132	11/14 10/17
CLA Coupe (C117)	CLA 180 (117.342)	90	01/13 -
CLA Coupe (C117)	CLA 180 CDI / d (117.312)	80	10/13 -
CLA Coupe (C117)	CLA 200	135	07/16 -
CLA Coupe (C117)	CLA 200 (117.343)	115	01/13 -

CLA Coupe (C117)	CLA 200 CDI (117.301)	100	06/13 -
CLA Coupe (C117)	CLA 200 CDI / d (117.308)	100	07/14 -
CLA Coupe (C117)	CLA 200 CDI / d 4-matic (117.302)	100	07/14 -
CLA Coupe (C117)	CLA 220 (117.345)	135	04/16 -
CLA Coupe (C117)	CLA 220 4-matic (117.347)	135	04/16 -
CLA Coupe (C117)	CLA 220 CDI / d (117.303)	125	01/13 -
CLA Coupe (C117)	CLA 220 CDI / d (117.303)	120	01/13 -
CLA Coupe (C117)	CLA 220 CDI / d (117.303)	130	09/14 -
CLA Coupe (C117)	CLA 250 (117.344)	155	01/13 -
CLA Coupe (C117)	CLA 250 (117.350)	160	07/15 -
CLA Coupe (C117)	CLA 250 4-matic (117.346)	155	07/13 -
CLA Coupe (C117)	CLA 250 4-matic (117.351)	160	07/15 -
CLA Shooting Brake (X117)	CLA 180 (117.942)	90	01/15 -
CLA Shooting Brake (X117)	CLA 180 d (117.912)	80	07/15 -
CLA Shooting Brake (X117)	CLA 200 (117.943)	115	01/15 -
CLA Shooting Brake (X117)	CLA 200 CDI / d (117.908)	100	01/15 -
CLA Shooting Brake (X117)	CLA 220 CDI / d (117.903)	120	01/15 -
CLA Shooting Brake (X117)	CLA 220 CDI / d (117.903)	130	01/15 -
CLA Shooting Brake (X117)	CLA 250 (117.944)	155	01/15 -
CLA Shooting Brake (X117)	CLA 250 4-matic (117.946)	155	01/15 -
CLA Shooting Brake (X117)	CLA 250 4-matic (117.951)	160	07/15 -
GLA-CLASS (X156)	GLA 180 (156.942)	90	02/15 -
GLA-CLASS (X156)	GLA 180 CDI / d (156.912)	80	07/14 -
GLA-CLASS (X156)	GLA 200 (156.943)	115	12/13 -
GLA-CLASS (X156)	GLA 200 CDI / d (156.908)	100	12/13 -
GLA-CLASS (X156)	GLA 200 CDI 4-matic (156.902)	100	12/13 -
GLA-CLASS (X156)	GLA 220 (156.945)	135	01/17 -
GLA-CLASS (X156)	GLA 220 4-matic (156.947)	135	01/17 -
GLA-CLASS (X156)	GLA 220 CDI (156.903)	125	12/13 -
GLA-CLASS (X156)	GLA 220 CDI / d (156.903)	120	12/13 -
GLA-CLASS (X156)	GLA 220 CDI / d 4-matic (156.905)	120	12/13 -
GLA-CLASS (X156)	GLA 220 CDI 4-matic (156.905)	125	12/13 -

GLA-CLASS (X156)	GLA 220 d (156.903)	130	07/15 -
GLA-CLASS (X156)	GLA 220 d 4-matic (156.905)	130	07/15 -
GLA-CLASS (X156)	GLA 250 (156.944)	155	12/13 -
GLA-CLASS (X156)	GLA 250 4-matic (156.946)	155	12/13 -
SLC (R172)	180 (172.431)	115	01/16 -
SLC (R172)	200 (172.434)	135	01/16 -
SLC (R172)	250 d (172.404)	150	01/16 10/17
SLC (R172)	300 (172.438)	180	01/16 -
SLK (R172)	200 (172.434)	135	04/15 -
SLK (R172)	200 (172.448)	135	02/11 -
SLK (R172)	250 (172.447)	150	02/11 -
SLK (R172)	250 CDI / d (172.403)	150	01/12 -
SLK (R172)	300 (172.438)	180	07/15 -
SLK (R172)	350 (172.457)	225	02/11 -

MERCEDES-BENZ (BBDC)

Modell	Typ	kW	Baujahr
GLA (X156)	200 (156.943)	115	04/15 -
GLA (X156)	220 4-matic (156.947)	135	04/15 -
GLA (X156)	260 4-matic (156.946)	155	04/15 -

OE-Teilnr.

Passende OE-Teilnummern

MERCEDES-BENZ	0064202320
MERCEDES-BENZ	0064207920
MERCEDES-BENZ	0064208020
MERCEDES-BENZ	0064208320
MERCEDES-BENZ	0074209420
MERCEDES-BENZ	0074209520
MERCEDES-BENZ	64208020
MERCEDES-BENZ	A0064202320
MERCEDES-BENZ	A0064207920
MERCEDES-BENZ	A0064208020
MERCEDES-BENZ	A0064208320
MERCEDES-BENZ	A0074209420

