



# BRAKE PAD

## P 52 015

The P 52 015 brake pad is synonymous with reliability

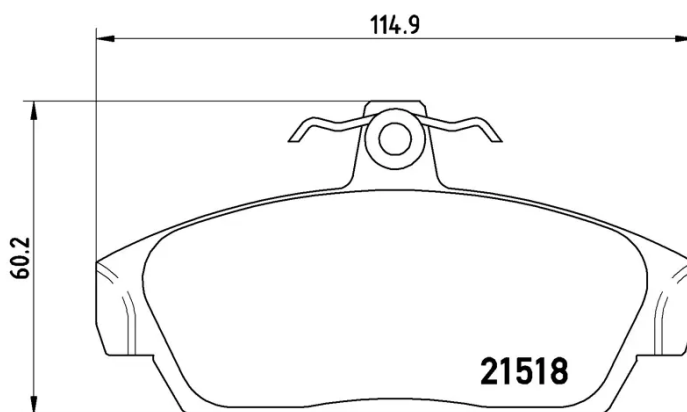
The Brembo brake pad guarantees ultimate safety when braking thanks to the use of more than 100 different compounds, designed according to the type of vehicle and use. Stopping distances reduced to a minimum, maximum driving comfort and silent operation are the most important features of Brembo materials. Brembo brake pads are supplied together with an extensive range of accessories and assembly kits for professional-standard installation.

- ✓ OE-equivalent
- ✓ Brembo quality
- ✓ ECE-R90 certificate
- ✓ Safety
- ✓ Performance
- ✓ Comfort



### Technical specifications

EAN code	Axle	Thickness
<b>8020584054451</b>	<b>Front</b>	<b>17 mm</b>
Width	Height	Braking system
<b>115 mm</b>	<b>60 mm</b>	<b>Lucas</b>
Wear indicator	WVA number	Accessories
<b>Without</b>	<b>21518</b>	<b>With anti-squeal shim</b>



COMPATIBLE VEHICLES

## COMPATIBLE OE PART NUMBERS

SEM100020	MG
GBP90318	ROVER
GBP90320	ROVER
GBP90320AF	ROVER
GBP90337	ROVER
GBP90337AF	ROVER
GBP90345AF	ROVER