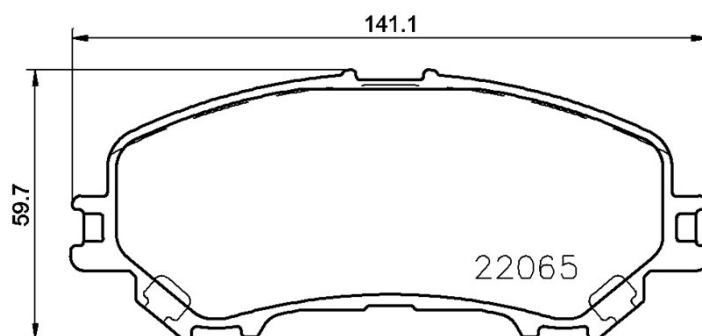


Bremsbeläge, technische Daten

Achse Vorne	WVA 22065
Breite 141,1 mm	Stärke 17,9 mm
Höhe 59,7 mm	Bremssystem Akebono
Eigenschaften	Verschleißanzeiger Akustische



EAN-Code
8020584112670



Kompat. Fahrzg.

NISSAN			
Modell	Typ	kW	Baujahr
QASHQAI II Closed Off-Road Vehicle (J11, J11_)	1.2 DIG-T	85	11/13 -
QASHQAI II Closed Off-Road Vehicle (J11, J11_)	1.5 dCi	81	11/13 -
QASHQAI II Closed Off-Road Vehicle (J11, J11_)	1.6 dCi	96	11/13 -
QASHQAI II Closed Off-Road Vehicle (J11, J11_)	1.6 dCi ALL MODE 4x4-i	96	11/13 -
QASHQAI II Closed Off-Road Vehicle (J11, J11_)	1.6 DIG-T	120	10/14 -
QASHQAI II Closed Off-Road Vehicle (J11, J11_)	2.0 (J11E)	106	06/14 -
QASHQAI II Closed Off-Road Vehicle (J11, J11_)	2.0 ALL MODE 4x4-i (J11R)	106	10/15 -
RENAULT			
Modell	Typ	kW	Baujahr
KADJAR (HA_, HL_)	1.2 TCe 130	96	06/15 -
KADJAR (HA_, HL_)	1.5 dCi 110	81	06/15 -
KADJAR (HA_, HL_)	1.6 dCi 130	96	06/15 -
KADJAR (HA_, HL_)	1.6 dCi 130 4x4	96	06/15 -

OE-Teilenr.**Passende OE-Teilenummern**

NISSAN	D10604EA0A
RENAULT	410604EA0A
