

Bremsbeläge, technische Daten

Achse
Vorne

WVA
20976, 21225, 21226

Breite
112 mm

Stärke
17,5 mm

Höhe
60 mm

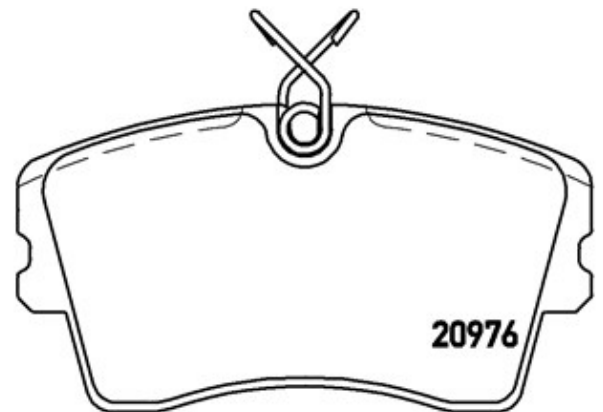
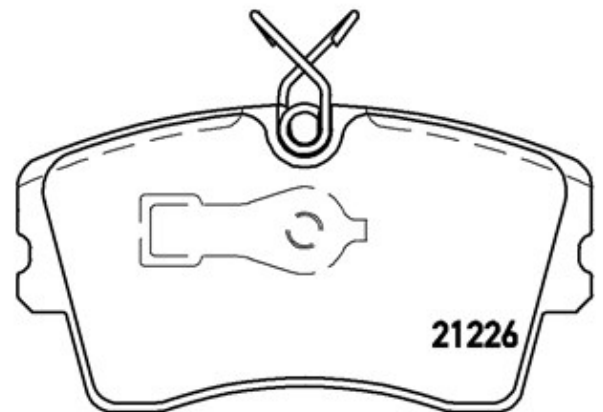
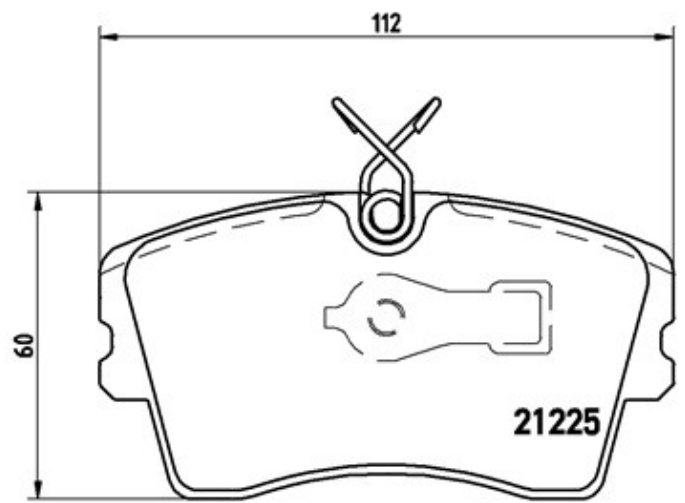
Bremssystem
Teves

Eigenschaften
Mit Bremssattelschrauben

Verschleißanzeiger
Vorbereitung

EAN-Code
8020584055403





Kompat. Fahrzg.

OPEL				
Modell	Typ	kW	Baujahr	
MONZA A (22_)	2.0 E	85	03/83 10/84	
MONZA A (22_)	2.2 E	85	11/84 08/86	
MONZA A (22_)	2.5 E	100	05/81 08/86	
MONZA A (22_)	2.5 E	103	06/84 08/86	
MONZA A (22_)	3.0 GSE	132	02/78 08/86	
MONZA A (22_)	3.0 GSE	115	09/85 08/86	

OMEGA A (V87)	3.0 (3000) (F19, M19, N19)	130	03/87 09/90
OMEGA A (V87)	3.0 (3000) (F19, M19, N19)	115	03/87 12/87
OMEGA A (V87)	3.0 (3000) Cat (F19, M19, N19)	130	03/88 03/94
OMEGA A Estate (V87)	2.6 (F35, M35)	135	09/87 04/94
OMEGA A Estate (V87)	3.0 (F35, M35)	115	03/87 03/94
OMEGA A Estate (V87)	3.0 (F35, M35)	130	03/87 09/90
OMEGA A Estate (V87)	3.0 Cat (F35, M35)	130	03/87 03/94
SENATOR A (29_)	2.0 E	85	03/83 10/84
SENATOR A (29_)	2.2 E	85	11/84 08/87
SENATOR A (29_)	2.2 TD	63	11/84 08/87
SENATOR A (29_)	2.5 E	100	01/83 08/84
SENATOR A (29_)	2.5 E	103	09/84 08/87
SENATOR A (29_)	3.0	115	09/85 08/87
SENATOR A (29_)	3.0 E	132	02/78 12/86
SENATOR B (V88)	2.5 i (P19)	103	09/90 09/93
SENATOR B (V88)	3.0 (P19)	130	01/88 09/90
SENATOR B (V88)	3.0 (P19)	115	09/87 09/93
SENATOR B (V88)	3.0 i Cat (P19)	130	01/88 09/93

VAUXHALL

Modell	Typ	kW	Baujahr
CARLTON Mk III Estate (V87)	2.6 i	110	09/90 03/94
CARLTON Mk III Estate (V87)	3.0	130	03/87 03/94
CARLTON Mk III Saloon (V87)	2.6 i	110	09/90 03/94
CARLTON Mk III Saloon (V87)	3.0 3000	130	03/87 09/90
CARLTON Mk III Saloon (V87)	3000 Cat	130	03/88 03/94
SENATOR	2.5 i	103	09/84 08/87
SENATOR	3.0 i	132	09/84 12/86
SENATOR Mk II (B) (V88)	2.5 i	103	09/87 10/90
SENATOR Mk II (B) (V88)	3.0	130	01/88 09/90
SENATOR Mk II (B) (V88)	3.0 i Cat	130	01/88 09/93

OE-Teilernr.

Passende OE-Teilenummern

OPEL 1605612

OPEL	1605681
OPEL	1605760
OPEL	1605790
OPEL	1605798
OPEL	90398761
VAUXHALL	90348210