

Bremsbeläge, technische Daten

Achse
Hinten

WVA
21051

Breite
61,6 mm

Stärke
15,7 mm

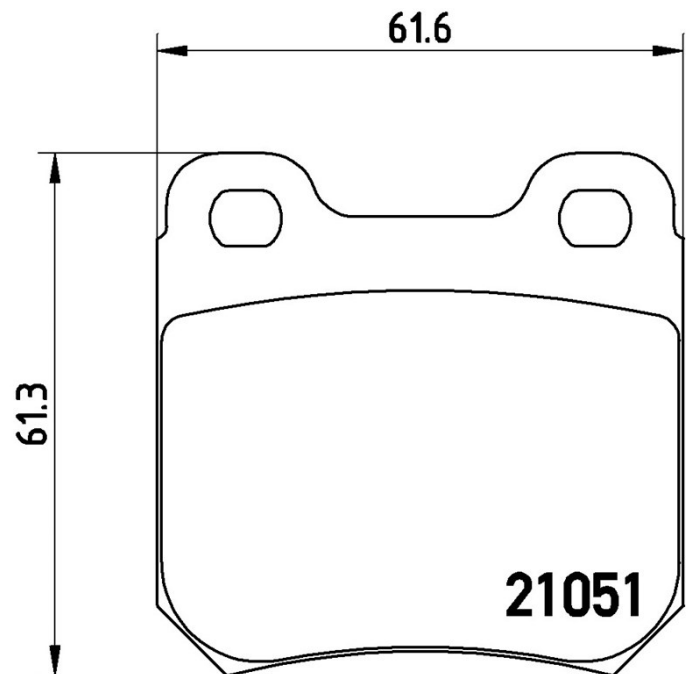
Höhe
61,2 mm

Bremssystem
Teves

Eigenschaften

Verschleißanzeiger
Ohne

EAN-Code
8020584055410



Kompat. Fahrzeug.

CHEVROLET

Modell	Typ	kW	Baujahr
VECTRA	2.2 Elegance	101	12/97 06/05

OPEL

Modell	Typ	kW	Baujahr
OMEGA A (V87)	1.8 (F19, M19, N19)	85	09/86 03/94
OMEGA A (V87)	1.8 (F19, M19, N19)	65	09/87 03/94
OMEGA A (V87)	1.8 N (F19, M19, N19)	60	09/86 08/87
OMEGA A (V87)	1.8 S (F19, M19, N19)	66	09/86 03/94

OMEGA A (V87)	2.0 (F19, M19, N19)	90	09/86 03/94
OMEGA A (V87)	2.0 (F19, M19, N19)	85	09/87 04/94
OMEGA A (V87)	2.0 i (F19, M19, N19)	85	09/86 03/94
OMEGA A (V87)	2.3 D (F19, M19, N19)	54	10/86 03/94
OMEGA A (V87)	2.3 TD (F19, M19, N19)	66	10/86 08/88
OMEGA A (V87)	2.3 TD Interc. (F19, M19, N19)	74	08/88 03/94

VAUXHALL

Modell	Typ	kW	Baujahr
CARLTON Mk III Saloon (V87)	1.8	65	09/87 03/94
CARLTON Mk III Saloon (V87)	1.8 i	85	09/86 03/94
CARLTON Mk III Saloon (V87)	1.8 N	60	09/86 08/87
CARLTON Mk III Saloon (V87)	1.8 S	66	09/86 03/94
CARLTON Mk III Saloon (V87)	2.0	85	09/86 03/94
CARLTON Mk III Saloon (V87)	2.0 i	90	09/86 03/94
CARLTON Mk III Saloon (V87)	2.2 TD	66	10/86 08/88
CARLTON Mk III Saloon (V87)	2.3 D	54	09/86 03/94
CARLTON Mk III Saloon (V87)	2.3 TD Interc.	74	08/88 03/94

OE-Teilenr.

Passende OE-Teilenummern

OPEL	1605924
OPEL	90487271
OPEL	90540177
VAUXHALL	1605617
VAUXHALL	93169000