

Bremsbeläge, technische Daten

Achse
Vorne

WVA
21368

Breite
129,8 mm

Stärke
18,3 mm

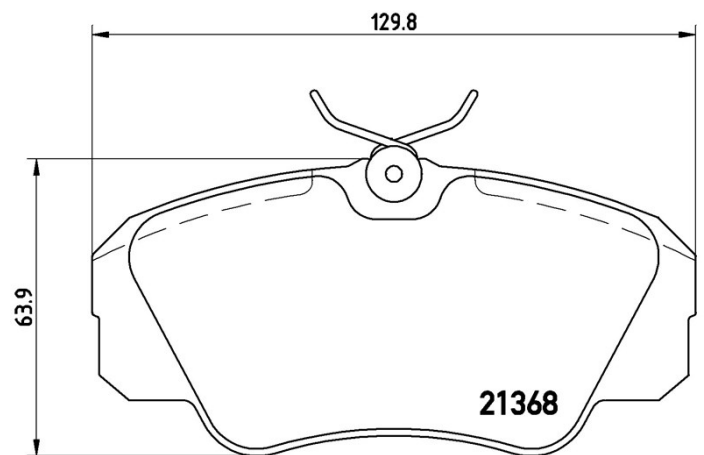
Höhe
63,9 mm

Bremssystem
Lucas

Eigenschaften
Mit Bremssattelschrauben

Verschleißanzeiger
Vorbereitung

EAN-Code
8020584055472



Kompat. Fahrzg.

OPEL

Modell	Typ	kW	Baujahr
OMEGA A (V87)	2.6 i (F19, M19, N19)	110	09/90 03/94
OMEGA A (V87)	3.0 (3000) Cat (F19, M19, N19)	130	03/88 03/94
OMEGA A (V87)	3.0 24V (3000) (F19, M19, N19)	147	09/89 03/94
OMEGA A (V87)	3.0 24V (3000) (F19, M19, N19)	150	09/89 03/94
OMEGA A (V87)	3.0 24V Evolution500 (F19, M19, N19)	169	03/91 07/92
OMEGA A (V87)	3.6 24V Lotus (F19, M19, N19)	277	08/90 09/92
OMEGA A Estate (V87)	2.6 (F35, M35)	135	09/87 04/94
OMEGA A Estate (V87)	2.6 i (F35, M35)	110	09/90 03/94
OMEGA A Estate (V87)	3.0 (F35, M35)	115	03/87 03/94
OMEGA A Estate (V87)	3.0 (F35, M35)	130	03/87 09/90

OMEGA A Estate (V87)	3.0 24V (F35, M35)	147	09/89 03/94
OMEGA A Estate (V87)	3.0 24V Omega 3000 (F35, M35)	150	09/88 04/94
OMEGA A Estate (V87)	3.0 Cat (F35, M35)	130	03/87 03/94
OMEGA B (V94)	2.0 (F69, M69, P69)	85	03/94 09/99
OMEGA B (V94)	2.0 (F69, M69, P69)	85	03/94 12/00
OMEGA B (V94)	2.0 (F69, M69, P69)	90	05/94 05/99
OMEGA B (V94)	2.0 16V (F69, M69, P69)	100	03/94 09/99
OMEGA B (V94)	2.0 DTI 16V (F69, M69, P69)	74	09/97 09/00
OMEGA B (V94)	2.2 16V (F69, M69, P69)	106	09/99 07/03
OMEGA B (V94)	2.2 DTI 16V (F69, M69, P69)	81	09/00 07/03
OMEGA B (V94)	2.2 DTI 16V (F69, M69, P69)	88	09/00 07/03
OMEGA B (V94)	2.5 D (F69, M69, P69)	96	05/94 05/99
OMEGA B (V94)	2.5 DTI (F69, M69, P69)	110	09/01 07/03
OMEGA B (V94)	2.5 TD (F69, M69, P69)	96	04/94 07/03
OMEGA B (V94)	2.5 V6 (F69, M69, P69)	125	03/94 09/00
OMEGA B (V94)	2.6 V6 (F69, M69, P69)	132	09/00 07/03
OMEGA B (V94)	3.0 V6 (F69, M69, P69)	155	04/94 02/01
OMEGA B (V94)	3.2 V6 (F69, M69, P69)	160	02/01 07/03
OMEGA B Estate (V94)	2.0 (F35, M35, P35)	85	03/94 09/99
OMEGA B Estate (V94)	2.0 (F35, M35, P35)	90	05/94 05/99
OMEGA B Estate (V94)	2.0 16V (F35, M35, P35)	100	03/94 09/99
OMEGA B Estate (V94)	2.0 DTI 16V (F35, M35, P35)	74	09/97 09/00
OMEGA B Estate (V94)	2.2 16V (F35, M35, P35)	106	09/99 07/03
OMEGA B Estate (V94)	2.2 DTI 16V (F35, M35, P35)	81	09/00 07/03
OMEGA B Estate (V94)	2.2 DTI 16V (F35, M35, P35)	88	09/00 07/03
OMEGA B Estate (V94)	2.5 DTI (F35, M35, P35)	110	09/01 07/03
OMEGA B Estate (V94)	2.5 TD (F35, M35, P35)	96	04/94 07/01
OMEGA B Estate (V94)	2.5 V6 (F35, M35, P35)	125	03/94 09/00
OMEGA B Estate (V94)	2.6 (F35, M35, P35)	138	05/94 05/99
OMEGA B Estate (V94)	2.6 V6 (F35, M35, P35)	132	09/00 07/03
OMEGA B Estate (V94)	3.0 V6 (F35, M35, P35)	155	04/94 02/01
OMEGA B Estate (V94)	3.2 V6 (F35, M35, P35)	160	02/01 07/03
SENATOR B (V88)	2.5 i (P19)	103	09/90 09/93

SENATOR B (V88)	2.6 i (P19)	110	09/90 09/93
SENATOR B (V88)	3.0 (P19)	130	01/88 09/90
SENATOR B (V88)	3.0 (P19)	115	09/87 09/93
SENATOR B (V88)	3.0 24V (P19)	150	09/89 09/93
SENATOR B (V88)	3.0 i Cat (P19)	130	01/88 09/93
SENATOR B (V88)	3.6 (P19)	147	09/91 08/93

VAUXHALL

Modell	Typ	kW	Baujahr
CARLTON Mk III Estate (V87)	2.6 i	110	09/90 03/94
CARLTON Mk III Estate (V87)	3.0	130	03/87 03/94
CARLTON Mk III Estate (V87)	3.0 24V	147	09/89 03/94
CARLTON Mk III Saloon (V87)	2.6 i	110	09/90 03/94
CARLTON Mk III Saloon (V87)	3.0 3000	130	03/87 09/90
CARLTON Mk III Saloon (V87)	3.0 3000 24V	150	09/89 03/94
CARLTON Mk III Saloon (V87)	3.6 24V Lotus	277	08/90 09/92
CARLTON Mk III Saloon (V87)	3000 24V	147	09/89 03/94
CARLTON Mk III Saloon (V87)	3000 Cat	130	03/88 03/94
OMEGA (B) Estate (V94)	2.0	85	03/94 09/99
OMEGA (B) Estate (V94)	2.0 16V	100	03/94 07/01
OMEGA (B) Estate (V94)	2.0 DTI 16V	74	01/98 09/00
OMEGA (B) Estate (V94)	2.2 16V	106	02/94 06/03
OMEGA (B) Estate (V94)	2.2 DTI 16V	88	08/00 06/03
OMEGA (B) Estate (V94)	2.5 DTI 24V	110	09/01 06/03
OMEGA (B) Estate (V94)	2.5 TD	96	04/94 07/01
OMEGA (B) Estate (V94)	2.5 V6	125	03/94 09/00
OMEGA (B) Estate (V94)	2.6 V6	132	08/00 06/03
OMEGA (B) Estate (V94)	3.0 V6	155	07/94 07/00
OMEGA (B) Estate (V94)	3.2 V6	160	02/01 06/03
OMEGA (B) Saloon (V94)	2.0	85	03/94 09/99
OMEGA (B) Saloon (V94)	2.0	85	09/95 09/96
OMEGA (B) Saloon (V94)	2.0 16V	100	03/94 07/01
OMEGA (B) Saloon (V94)	2.0 DTI 16V	74	01/98 09/00
OMEGA (B) Saloon (V94)	2.2 16V	106	01/94 06/03
OMEGA (B) Saloon (V94)	2.2 DTI 16V	88	08/00 07/03

OMEGA (B) Saloon (V94)	2.5 DTI 24V	110	09/01 07/03
OMEGA (B) Saloon (V94)	2.5 TD	96	04/94 07/01
OMEGA (B) Saloon (V94)	2.5 V6	125	03/94 09/00
OMEGA (B) Saloon (V94)	2.6 V6	132	08/00 07/03
OMEGA (B) Saloon (V94)	3.0 V6	155	04/94 07/00
OMEGA (B) Saloon (V94)	3.2 V6	160	02/01 07/03
SENATOR Mk II (B) (V88)	2.5 i	103	09/87 10/90
SENATOR Mk II (B) (V88)	2.6 i	110	09/90 09/93
SENATOR Mk II (B) (V88)	3.0	130	01/88 09/90
SENATOR Mk II (B) (V88)	3.0	135	09/87 08/88
SENATOR Mk II (B) (V88)	3.0 24V	150	09/89 09/93
SENATOR Mk II (B) (V88)	3.0 i Cat	130	01/88 09/93

OE-Teilnr.

Passende OE-Teilenummern

OPEL	1605004
OPEL	1605033
OPEL	1605782
OPEL	1605932
VAUXHALL	90398116
VAUXHALL	90541293
VAUXHALL	9192124
VAUXHALL	9195077