

## Bremsbeläge, technische Daten

---

**Achse**  
Hinten

**WVA**  
20253, 20271

**Breite**  
68,5 mm

**Stärke**  
16,4 mm

**Höhe**  
55,3 mm

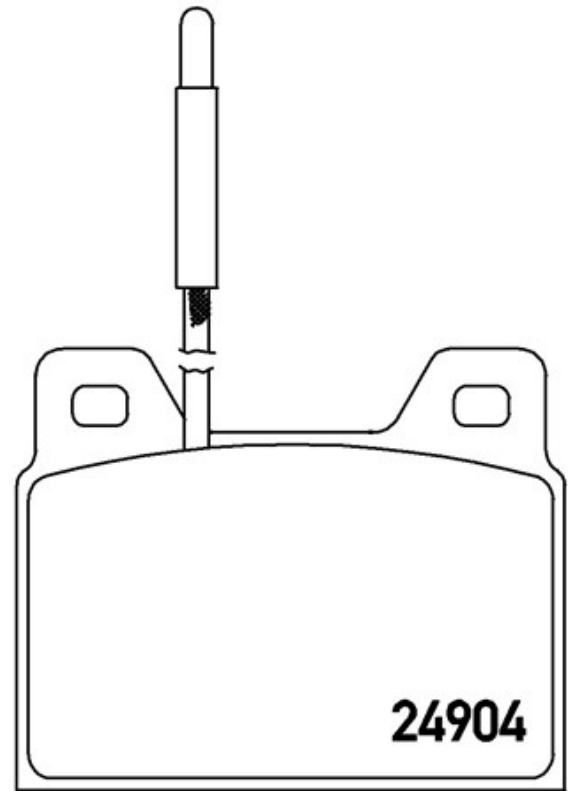
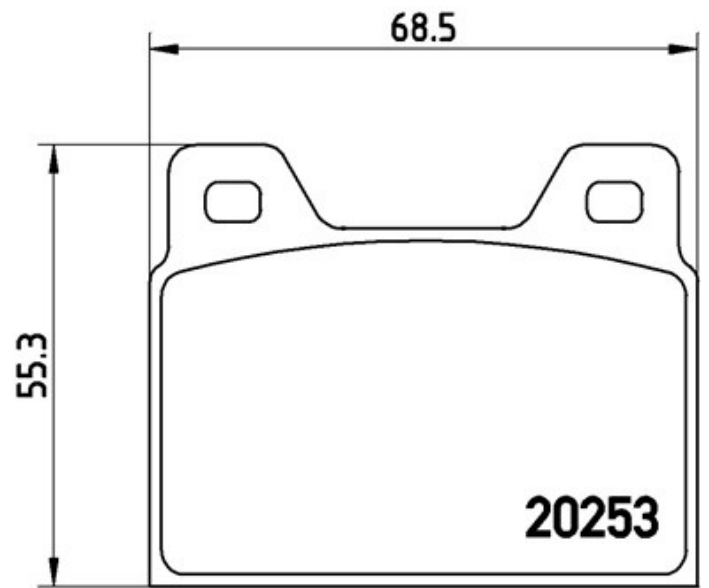
**Bremssystem**  
Lucas

**Eigenschaften**

**Verschleißanzeiger**  
Elektrische

**EAN-Code**  
8020584055816





### Kompat. Fahrzeug.

PEUGEOT			
Modell	Typ	kW	Baujahr
504 (A_, M_)	2.0 TI (A12, A14)	78	01/71 06/83
504 Convertible	2.0	78	08/82 08/84
504 Convertible	2.0	75	10/74 08/82
504 Coupe	2.0	78	08/82 08/84
504 Coupe	2.0	75	10/74 08/82
505 (551A)	1.8	60	01/82 10/85
505 (551A)	1.8	55	06/81 10/85
505 (551A)	1.8	62	09/85 10/86

505 (551A)	2.0	79	05/79 03/82
505 (551A)	2.0	69	09/83 09/85
505 (551A)	2.0	72	09/85 09/95
505 (551A)	2.0	71	11/80 12/85
505 (551A)	2.0 GTi	83	10/89 08/91
505 (551A)	2.0 TI,STI	81	08/79 10/86
505 (551A)	2.2	89	10/85 08/91
505 (551A)	2.2	84	03/86 12/93
505 (551A)	2.2	85	05/81 10/84
505 (551A)	2.2 GTI	90	08/83 12/93
505 (551A)	2.2 GTI	96	08/83 12/93
505 (551A)	2.2 Turbo	132	07/85 09/88
505 (551A)	2.2 Turbo Injection	110	01/86 12/87
505 (551A)	2.2 Turbo Injection	114	03/84 10/88
505 (551A)	2.2 Turbo Injection	128	06/87 12/88
505 (551A)	2.3 Turbo Diesel	59	09/80 06/86
505 (551A)	2.5 Diesel	55	06/81 12/93
505 (551A)	2.5 Diesel	51	10/81 11/90
505 (551A)	2.5 Turbo Diesel	70	10/83 12/90
505 (551A)	2.5 Turbo Diesel	66	10/83 12/93
505 (551A)	2.5 Turbo Diesel	77	10/86 12/93
505 (551A)	2.8 GTI V6	105	06/86 12/93
505 Break (551D)	2.0	60	04/82 11/87
505 Break (551D)	2.0	69	08/83 12/85
505 Break (551D)	2.0	72	09/85 11/87
505 Break (551D)	2.2	84	01/86 12/93
505 Break (551D)	2.2 GTI	90	09/85 12/86
505 Break (551D)	2.3 Diesel	59	04/82 06/86
505 Break (551D)	2.5 Diesel	51	01/86 12/93
505 Break (551D)	2.5 Diesel	55	08/83 12/93
505 Break (551D)	2.5 Turbo Diesel	66	10/85 11/87
505 Break (551D)	2.5 Turbo Diesel	77	10/86 12/93
604 (561A_)	2.3 TD	59	09/79 05/83
604 (561A_)	2.5 TD	66	08/83 12/86

604 (561A_)	2.7 SL	100	08/77 05/83
604 (561A_)	2.7 TI,STI	106	08/77 05/83
604 (561A_)	2.8 GTI	110	09/83 07/87
<b>TALBOT</b>			
Modell	Typ	kW	Baujahr
TAGORA	2.6	122	08/81 10/83

## OE-Teilenr.

Passende OE-Teilenummern	
CITROËN	424557
CITROËN	425007
CITROËN	425073
PEUGEOT	424557
PEUGEOT	425007
PEUGEOT	425073