

Bremsbeläge, technische Daten

Achse
Vorne

WVA
20905, 20906

Breite
105 mm

Stärke
18 mm

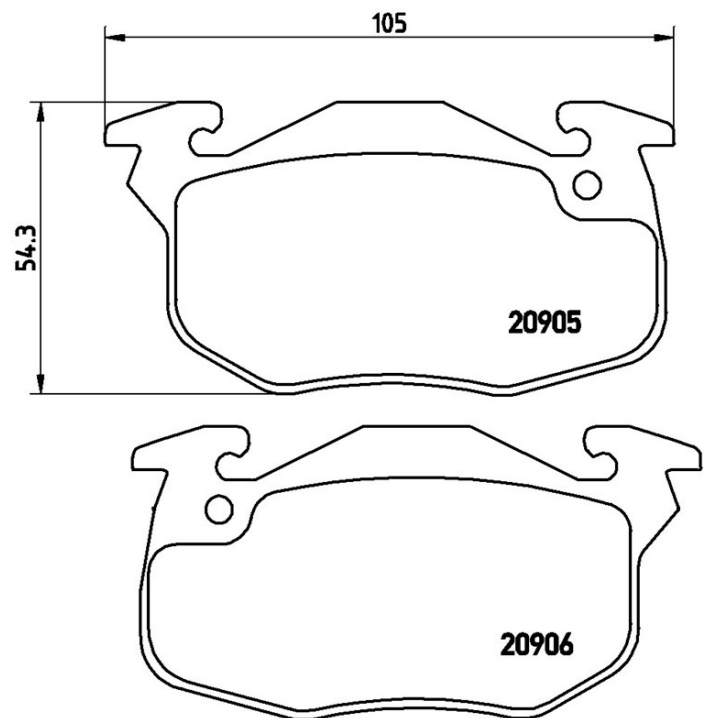
Höhe
54,3 mm

Bremssystem
Bendix

Eigenschaften

Verschleißanzeiger
Vorbereitung

EAN-Code
8020584061756



Kompat. Fahrzg.

CITROËN

Modell	Typ	kW	Baujahr
SAXO (S0, S1)	1.0 X	33	05/96 11/98
SAXO (S0, S1)	1.0 X	37	05/98 06/03
SAXO (S0, S1)	1.1 X,SX	40	05/96 09/03
SAXO (S0, S1)	1.1 X,SX	44	05/96 09/03
SAXO (S0, S1)	1.5 D	43	07/01 04/04
SAXO (S0, S1)	1.5 D	42	09/96 06/01
SAXO (S0, S1)	1.5 D	40	09/96 09/03

SAXO (S0, S1)	Electric	20	11/96 06/03
MAPLE (SMA)			
Modell	Typ	kW	Baujahr
HISOON Hatchback (SMA71_)	1.5 GX (SMA7150)	69	08/02 12/10
HISOON Hatchback (SMA71_)	1.5 LPG	69	01/07 12/10
PEUGEOT			
Modell	Typ	kW	Baujahr
106 I (1A, 1C)	1.0	33	09/91 04/96
106 I (1A, 1C)	1.0	37	09/91 04/96
106 I (1A, 1C)	1.1	44	09/91 04/96
106 I (1A, 1C)	1.3	72	10/93 04/96
106 I (1A, 1C)	1.4	51	08/91 03/96
106 I (1A, 1C)	1.4	72	08/91 03/96
106 I (1A, 1C)	1.4	55	09/91 04/96
106 I (1A, 1C)	1.4	69	09/91 04/96
106 I (1A, 1C)	1.4 D	37	09/92 04/96
106 I (1A, 1C)	1.5 D	40	06/94 04/96
106 I (1A, 1C)	1.5 D	43	06/94 04/96
106 I (1A, 1C)	1.6	76	01/94 04/96
106 I (1A, 1C)	1.6	65	06/93 04/96
106 II (1)	1.0 i	37	04/96 03/01
106 II (1)	1.0 i	33	05/96 10/99
106 II (1)	1.1 i	40	01/97 03/01
106 II (1)	1.1 i	44	05/96 07/04
106 II (1)	1.4 i	55	05/96 07/04
106 II (1)	1.5 D	42	04/98 07/04
106 II (1)	1.5 D	40	05/96 03/01
106 II (1)	Electric	20	04/96 07/04
106 Van II Box Body / Hatchback (1S_)	1.0	33	04/96 03/01
106 Van II Box Body / Hatchback (1S_)	1.5 D	40	05/96 03/01
106 Van II Box Body / Hatchback (1S_)	1.5 D	42	06/96 03/01
106 Van II Box Body / Hatchback (1S_)	Electric	20	04/96 03/01
306 (7B, N3, N5)	1.1	44	06/94 05/01
306 (7B, N3, N5)	1.4 SL	55	06/94 05/01

306 Hatchback (7A, 7C, N3, N5)	1.1	44	05/93 05/01
306 Hatchback (7A, 7C, N3, N5)	1.4	55	04/93 07/01

OE-Teilenr.

Passende OE-Teilenummern	
CITROËN	425137
CITROËN	425147
CITROËN	425483
CITROËN	425498
CITROËN	E172150
PEUGEOT	425137
PEUGEOT	425147
PEUGEOT	425483