

## Bremsbeläge, technische Daten

**Achse**  
Vorne

**WVA**  
23524, 23525

**Breite**  
119,5 mm

**Stärke**  
17,7 mm

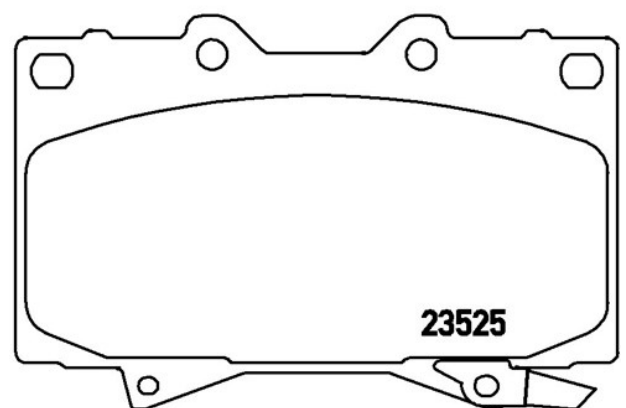
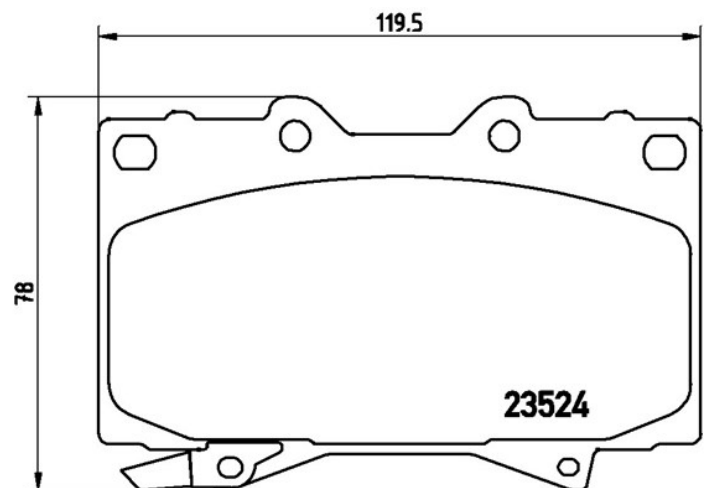
**Höhe**  
78 mm

**Bremssystem**  
Sumitomo

**Eigenschaften**

**Verschleißanzeiger**  
Akustische

**EAN-Code**  
8020584057834



## Kompat. Fahrz.

**BAW**

Modell	Typ	kW	Baujahr
LUBA	2.4	105	06/04 -
LUBA	2.4	96	06/04 12/07
LUBA	2.4 All-wheel Drive	105	06/04 12/17

LUBA	2.7	110	06/03 -
LUBA	2.7 All-wheel Drive	110	06/03 12/17
LUBA	3.0 All-wheel Drive	118	06/03 12/08
LUBA	3.4 All-wheel Drive	136	01/05 12/08

## LEXUS

Modell	Typ	kW	Baujahr
LX (UZJ100)	470 (HDJ100)	170	05/98 03/08
LX (UZJ100)	470 (UZJ100)	173	05/98 03/08
LX (UZJ100)	470 (UZJ100)	197	05/98 03/08
LX (UZJ100)	470 (UZJ100)	202	08/02 03/08

## TOYOTA

Modell	Typ	kW	Baujahr
LAND CRUISER (_J7_)	4.2 TDi 4x4	150	09/01 06/06
LAND CRUISER (_J7_)	4.5 TD 24V 4x4 (VDJ76, VDJ78, VDJ79_)	151	03/07 -
LAND CRUISER 100 (_J1_)	4.2 D (HZJ105)	96	03/98 08/07
LAND CRUISER 100 (_J1_)	4.2 TD (HDJ100_)	150	01/98 08/07
LAND CRUISER 100 (_J1_)	4.5 i (FZJ105)	165	03/98 07/08
LAND CRUISER 100 (_J1_)	4.7 (UZJ100)	175	02/02 08/07
LAND CRUISER 100 (_J1_)	4.7 (UZJ100_)	173	01/98 08/07
LAND CRUISER 90 (_J9_)	4.7	175	08/02 -
LAND CRUISER Pick-up (_J7_)	4.2 D 4x4	100	03/07 -
LAND CRUISER Pick-up (_J7_)	4.5 MPFi 4x4	179	03/07 -

## TOYOTA (FAW)

Modell	Typ	kW	Baujahr
LAND CRUISER 100 (_J10_)	4.5 (FZJ100, FZJ105)	155	10/03 04/07
LAND CRUISER 100 (_J10_)	4.7 All-wheel Drive (UZJ100)	175	10/03 07/07

## OE-Teilenr.

### Passende OE-Teilenummern

LEXUS	0446560230
TOYOTA	0446560120
TOYOTA	0446560140
TOYOTA	0446560150

TOYOTA	0446560151
TOYOTA	0446560160
TOYOTA	0446560170
TOYOTA	0446560190
TOYOTA	0446560220
TOYOTA	0446560240
TOYOTA	0446560250
TOYOTA	0446560340
TOYOTA	04465YZZCM