

Bremsbeläge, technische Daten

Achse
Vorne

WVA
24024, 24025, 24026

Breite
134,5 mm

Stärke
17,8 mm

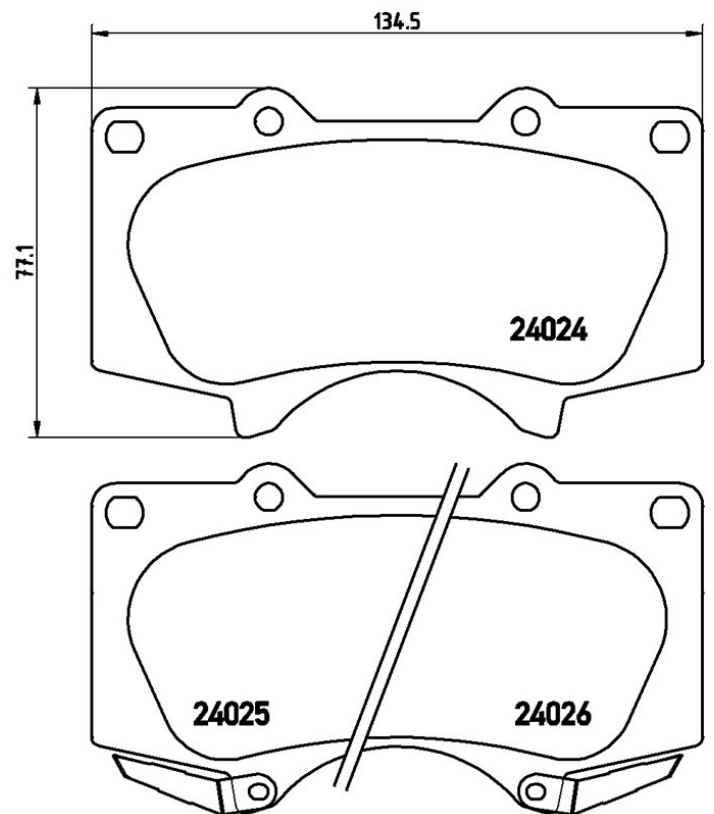
Höhe
77,1 mm

Bremssystem
Sumitomo

Eigenschaften

Verschleißanzeiger
Akustische

EAN-Code
8020584058015



Kompat. Fahrzeug.

CHANGAN

Modell	Typ	kW	Baujahr
CX30 Saloon	1.6	78	12/10 -
CX30 Saloon	2.0	112	12/10 12/12

LEXUS

Modell	Typ	kW	Baujahr
GX (_J12_)	470 (UZJ120)	175	11/01 11/09

GX (_J12_) 470 (UZJ120) 199 11/01 11/09

mitsubishi

Modell	Typ	kW	Baujahr
PAJERO CLASSIC (V2_W)	3.8 All-wheel Drive	184	09/06 -
PAJERO IV (V8_W, V9_W)	3.0 4WD	131	02/07 -
PAJERO IV (V8_W, V9_W)	3.2 4WD	141	10/16 -
PAJERO IV (V8_W, V9_W)	3.2 DI-D	123	02/07 -
PAJERO IV (V8_W, V9_W)	3.2 DI-D (V88W, V98W)	118	02/07 -
PAJERO IV (V8_W, V9_W)	3.2 DI-D (V88W, V98W)	125	02/07 -
PAJERO IV (V8_W, V9_W)	3.2 DI-D 4WD	149	01/12 -
PAJERO IV (V8_W, V9_W)	3.2 DI-D 4WD	121	11/08 -
PAJERO IV (V8_W, V9_W)	3.2 DI-D 4WD (V98W, V88W)	140	02/07 -
PAJERO IV (V8_W, V9_W)	3.2 DI-D 4WD (V98W, V88W)	147	01/09 -
PAJERO IV (V8_W, V9_W)	3.2 DI-D GLS	124	02/07 -
PAJERO IV (V8_W, V9_W)	3.5 V6 4WD	139	09/09 -
PAJERO IV (V8_W, V9_W)	3.8 i 4WD (V97W, V87W)	175	01/09 -
PAJERO IV (V8_W, V9_W)	3.8 V6	182	10/06 -
PAJERO IV (V8_W, V9_W)	3.8 V6 (V87W, V97W)	184	02/07 -
PAJERO IV Van (V9_, V8_, V8_V)	3.2 DI-D	118	11/06 -
PAJERO IV Van (V9_, V8_, V8_V)	3.2 DI-D 4WD	140	02/07 -
PAJERO IV Van (V9_, V8_, V8_V)	3.2 TD 4WD	147	01/10 -

toyota

Modell	Typ	kW	Baujahr
4 RUNNER (_N21_)	4.0 (GRN210)	183	08/02 12/09
4 RUNNER (_N21_)	4.0 4WD (GRN215)	183	01/03 12/09
4 RUNNER (_N21_)	4.7 (UZN210)	194	01/05 12/09
4 RUNNER (_N21_)	4.7 (UZN210_)	201	03/05 09/09
4 RUNNER (_N21_)	4.7 (UZN210_)	175	08/02 09/06
4 RUNNER (_N21_)	4.7 4WD (UZN215)	194	01/05 12/09
4 RUNNER (_N21_)	4.7 4WD (UZN215_)	175	08/02 09/06
FJ CRUISER (GSJ1_)	4.0 (GSJ15)	178	01/06 12/11
FJ CRUISER (GSJ1_)	4.0 4WD (GSJ15_)	194	01/07 06/14
FJ CRUISER (GSJ1_)	4.0 4WD (GSJ15_)	191	01/10 06/14
FJ CRUISER (GSJ1_)	4.0 4WD (GSJ15_)	203	06/05 -

FJ CRUISER (GSJ1_)	4.0 4WD (GSJ15_)	200	12/10 -
FJ CRUISER (GSJ1_)	4.0 4WD (GSJ15_)	178	01/06 -
FORTUNER (_N5_, _N6_)	4.0 (GGN50_, GGN60_)	173	07/05 05/15
FORTUNER (_N5_, _N6_)	4.0 4WD (GGN50_, RZN215, GGN60)	173	01/05 05/15
FORTUNER (_N5_, _N6_)	4.0 4WD (GGN60)	175	01/05 05/15
HILUX Closed Off-Road Vehicle (_N1_, _N2_)	2.4 TD 4WD (LN165)	66	08/97 07/01
HILUX Closed Off-Road Vehicle (_N1_, _N2_)	2.7 (RZN169)	107	08/01 07/04
HILUX Closed Off-Road Vehicle (_N1_, _N2_)	3.4 4WD (KYN195)	131	08/00 07/05
HILUX Closed Off-Road Vehicle (_N1_, _N2_)	3.4 4WD (VZN185)	136	11/95 07/00
HILUX VI Pickup (_N1_)	3.4 (VZN1_)	131	08/01 07/05
HILUX VI Pickup (_N1_)	3.4 4WD (VZN16, VZN17)	131	08/01 07/05
HILUX VII Pickup (_N1_, _N2_, _N3_)	2.5 D-4D	106	01/10 -
HILUX VII Pickup (_N1_, _N2_, _N3_)	2.5 D-4D 4WD	106	09/09 -
HILUX VII Pickup (_N1_, _N2_, _N3_)	2.7 (TGN16)	118	08/05 05/15
HILUX VII Pickup (_N1_, _N2_, _N3_)	2.7 4WD (TGN26)	118	08/05 05/15
HILUX VII Pickup (_N1_, _N2_, _N3_)	3.0 D 4WD (KUN26_)	120	08/05 05/15
HILUX VII Pickup (_N1_, _N2_, _N3_)	3.0 D-4D 4WD	145	05/08 12/08
HILUX VII Pickup (_N1_, _N2_, _N3_)	3.0 D-4D 4WD (KUN26)	126	08/05 05/15
HILUX VII Pickup (_N1_, _N2_, _N3_)	4.0 (GGN15)	175	08/05 -
HILUX VII Pickup (_N1_, _N2_, _N3_)	4.0 4WD (GGN25)	175	08/05 -
LAND CRUISER PRADO (_J12_)	2.7 (TRJ12)	120	11/03 02/10
LAND CRUISER PRADO (_J12_)	2.7 (TRJ125)	112	09/02 08/04
LAND CRUISER PRADO (_J12_)	3.0 D	70	09/02 07/09
LAND CRUISER PRADO (_J12_)	3.0 D (KDJ120, KZJ120)	98	02/03 07/09
LAND CRUISER PRADO (_J12_)	3.0 D (KZJ120_)	96	08/05 07/09
LAND CRUISER PRADO (_J12_)	3.0 D-4D (KDJ120, KDJ125)	122	07/04 08/09
LAND CRUISER PRADO (_J12_)	3.0 D-4D (KDJ120, KDJ125)	127	09/02 12/10
LAND CRUISER PRADO (_J12_)	3.0 D-4D (KDJ120, KDJ125)	120	09/02 08/09
LAND CRUISER PRADO (_J12_)	3.0 D-4D (KDJ120_)	150	08/04 07/09
LAND CRUISER PRADO (_J12_)	3.0 D-4D (KZJ12)	92	09/02 07/09
LAND CRUISER PRADO (_J12_)	3.4	136	09/02 08/04
LAND CRUISER PRADO (_J12_)	4.0 (GRJ120)	179	09/02 08/10
LAND CRUISER PRADO (_J12_)	4.0 (GRJ120)	203	08/05 07/09

LAND CRUISER PRADO (_J12_)	4.0 (GRJ120, GRJ125)	183	12/02 12/10
TACOMA Pickup (_N2_)	4.0 (GRN225_, GRN265_, GRN270_)	174	09/04 12/15
TACOMA Pickup (_N2_)	4.0 4WD (GRN245_, GRN250_, GRN270_)	174	09/04 12/15
TUNDRA Pickup (_K3_, _K4_)	4.0 (GSK30_)	180	05/03 11/06
TUNDRA Pickup (_K3_, _K4_)	4.0 4WD (GSK30_)	180	05/03 11/06
TOYOTA (FAW)			
Modell	Typ	kW	Baujahr
LAND CRUISER PRADO (J15)	4.0 (GRJ150)	202	06/10 12/15
PRADO (J12)	4.0 All-wheel Drive (GRJ120, GRJ121, GRJ125)	179	10/03 06/10

OE-Teilenr.

Passende OE-Teilenummern

MITSUBISHI	4605A472
MITSUBISHI	4605A481
MITSUBISHI	MZ690355
TOYOTA	0446504070
TOYOTA	044650K090
TOYOTA	0446535250
TOYOTA	0446535290
TOYOTA	0446560210
TOYOTA	0446560270
TOYOTA	04465YZZDB