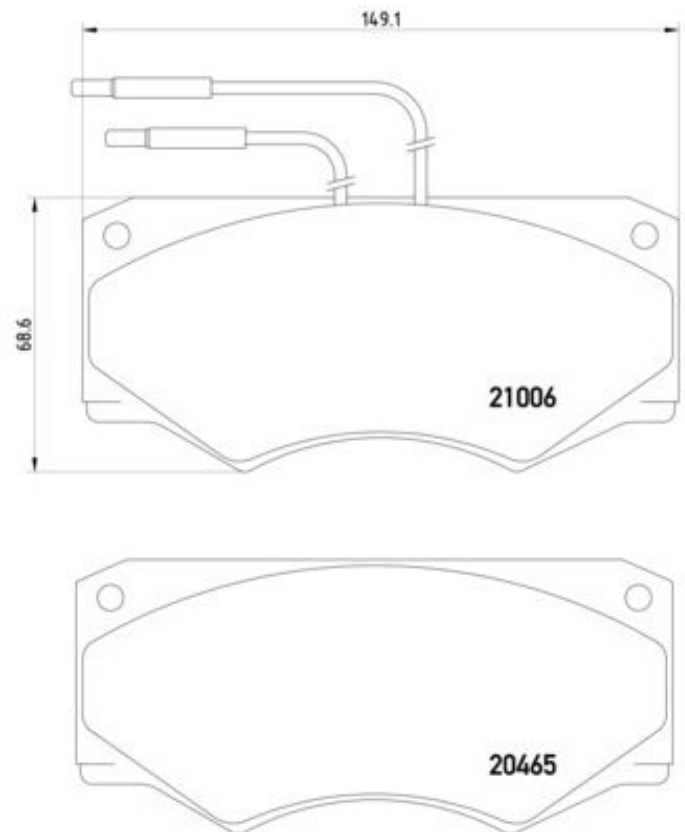


Bremsbeläge, technische Daten

Achse Vorne	WVA 21006, 20465
Breite 149 mm	Stärke 18 mm
Höhe 69 mm	Bremssystem Perrot
Eigenschaften	Verschleißanzeiger Elektrische
EAN-Code 8020584059128	



Kompat. Fahrzg.

IVECO				
Modell	Typ	kW	Baujahr	
DAILY I Box Body / Estate	40-8 V	53	01/83 06/89	
DAILY I Box Body / Estate	45-10 V (10334204, 10334211, 10334212, 10334217,...	68	01/85 12/89	
DAILY I Box Body / Estate	49-10 V (10354204, 10354211, 10354212, 10354217,...	68	01/85 12/89	
DAILY I Platform/Chassis	40-8	53	01/83 06/89	
DAILY I Platform/Chassis	45-10 (10331211, 10331212, 10331217, 10331304, 10331311,...	68	01/85 12/89	
DAILY I Platform/Chassis	49-10 (10350211, 10350304, 10350311, 10350404, 10350411,...	68	01/85 12/89	
DAILY II Box Body / Estate	40-10 V	76	01/90 04/96	
DAILY II Box Body / Estate	45-10 V (13034204, 13034211, 13034212, 13034224,...	76	01/89 04/96	
DAILY II Bus	A 40-10 (94139111, 94139131, 94139311, 94139315,...	76	01/91 12/96	
DAILY II Bus	A 45-10 (95739111, 95739131,	76	05/96 05/99	

95739311, 95739317,...

DAILY II Platform/Chassis

45-10 (13031204, 13031211,
13031212, 13031224,
13031231,...

76

01/89 04/96

OE-Teilenr.

Passende OE-Teilenummern

IVECO	00000001906040
IVECO	00000001906430
IVECO	1902469
IVECO	1903383
IVECO	1906040
IVECO	1906062
IVECO	1906430
IVECO	503471004