



BRAKE PAD PRIME CERAMIC P10010N

The P10010N NAO brake pad is synonymous with reliability

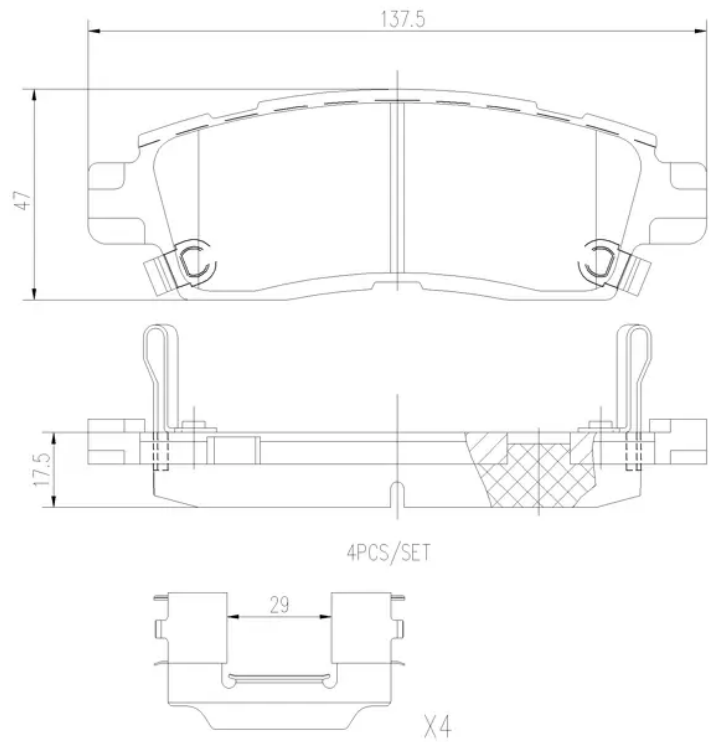
Brembo NAO brake pads stand out for their ultimate braking comfort, reduced friction wear and low dust mission, which makes for cleaner rims and reduced maintenance requirements. The advanced friction material in keeping with the strictest environmental standards is the main distinguishing feature of NAO compounds.

- ✓ OE-equivalent
- ✓ Brembo quality
- ✓ Safety
- ✓ Comfort
- ✓ Durability
- ✓ Dust reduction
- ✓ With accessories



Technical specifications

EAN code 8020584096048	Axle Rear	Thickness 18 mm
Width 138 mm	Height 47 mm	Braking system Lucas - Girling
Wear indicator Acoustic	WVA number 24445,24446,24447	Accessories With anti-squeal shim



COMPATIBLE VEHICLES

COMPATIBLE OE PART NUMBERS

15855898	BUICK
19149111	BUICK
88983916	BUICK
84233324	CADILLAC
15855898	CHEVROLET
19149111	CHEVROLET
84273025	CHEVROLET
8889357520	CHEVROLET
8889839160	CHEVROLET
8890271840	CHEVROLET
88935732	CHEVROLET
88935752	CHEVROLET
88935809	CHEVROLET
88983915	CHEVROLET
22866196	GMC
25922473	GMC
88935809	GMC
819149111	ISUZU
8191491110	ISUZU
8889358090	ISUZU
8889839150	ISUZU
19122385	OLDSMOBILE
19149111	OLDSMOBILE
89027184	SAAB
20882340	SATURN
22892950	SATURN