



BRAKE DISC

08.4475.10

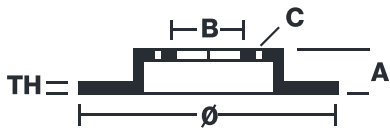
The 08.4475.10 brake disc is synonymous with reliability

The Brembo brake disc is fully interchangeable with an Original Equipment brake disc. The control of the entire production cycle allows Brembo to offer brake discs with outstanding performance levels, reliability, durability and comfort in all conditions of use. All Brembo brake discs are accompanied by the ECE-R90 homologation.

- ✓ OE-equivalent
- ✓ Brembo quality
- ✓ ECE-R90 certificate
- ✓ Safety
- ✓ Fastening screws



Technical specifications



EAN code
8020584447512

Axle
Front

Diameter \varnothing
236 mm

Thickness (TH)
12,5 mm

Height (A)
41 mm

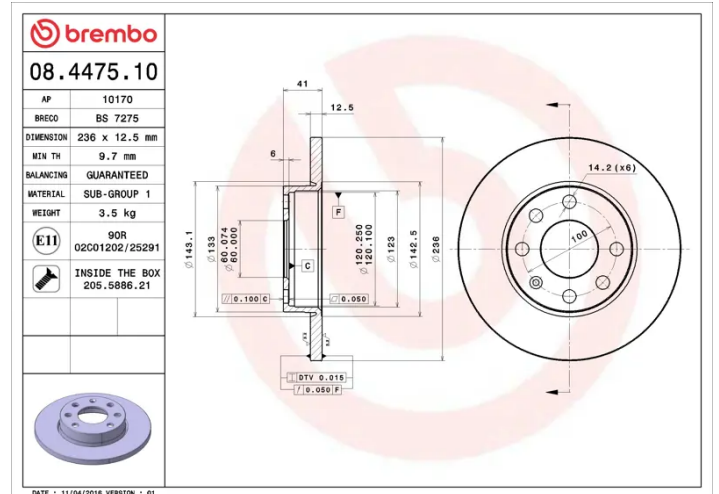
Number of holes (C)
4

Brake disc type
Solid

Centering (B)
60 mm

Min. thickness
9,7 mm

Tightening torque
110 Nm



COMPATIBLE VEHICLES

COMPATIBLE OE PART NUMBERS

90111242 BEDFORD

90008005 CHEVROLET

569013 OPEL

569030 OPEL

90008005 OPEL

93182290 OPEL

90111242 PONTIAC

90008005 VAUXHALL

90111242 VAUXHALL

93182290 VAUXHALL
