



BRAKE DISC PAINTED

08.6917.11

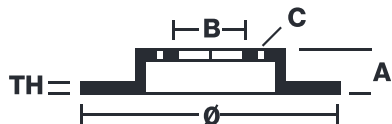
The 08.6917.11 painted brake disc is synonymous with reliability

The Brembo brake disc with special UV paint treatment guarantees superior corrosion resistance for the product, thanks to the protective coating on the outer edges and on the disc hub. The UV paint not only gives the disc a clean, shiny appearance but is also beneficial for the environment as the water-based UV paint treatment does not require the use of chemical solvents and is a low energy consumption process.

- ✓ OE-equivalent
- ✓ Brembo quality
- ✓ ECE-R90 certificate
- ✓ Safety
- ✓ High carbon
- ✓ Anti-corrosion
- ✓ Fastening screws



Technical specifications



EAN code
8020584014585

Axle
Rear

Diameter \varnothing
298 mm

Thickness (TH)
10 mm

Height (A)
61 mm

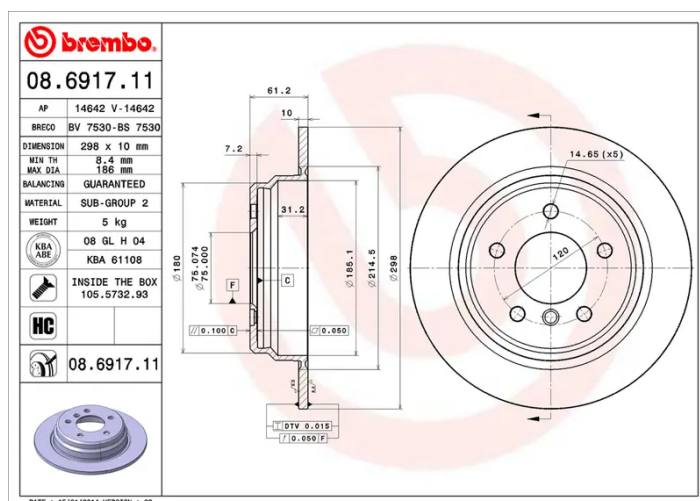
Number of holes (C)
5

Brake disc type
Solid

Centering (B)
75 mm

Min. thickness
8,4 mm

Tightening torque
120 Nm



COMPATIBLE OE PART NUMBERS

34211163669	BMW
-------------	-----

34211163835	BMW
-------------	-----

34211164129	BMW
-------------	-----

34216767049	BMW
-------------	-----
