



# BRAKE DISC PAINTED

## 09.8003.11

The 09.8003.11 painted brake disc is synonymous with reliability

The Brembo brake disc with special UV paint treatment guarantees superior corrosion resistance for the product, thanks to the protective coating on the outer edges and on the disc hub. The UV paint not only gives the disc a clean, shiny appearance but is also beneficial for the environment as the water-based UV paint treatment does not require the use of chemical solvents and is a low energy consumption process.

- ✓ OE-equivalent
- ✓ Brembo quality
- ✓ ECE-R90 certificate
- ✓ Safety
- ✓ Anti-corrosion
- ✓ PVT ventilation



### Technical specifications



**EAN code**  
**8020584023464**

**Axle**  
**Front and rear**

**Diameter  $\varnothing$**   
**285 mm**

**Thickness (TH)**  
**28 mm**

**Height (A)**  
**44 mm**

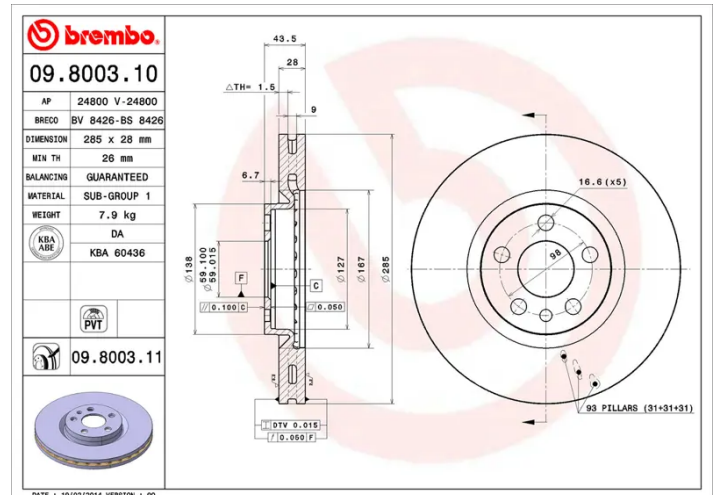
**Number of holes (C)**  
**5**

**Brake disc type**  
**Ventilated**

**Centering (B)**  
**59 mm**

**Min. thickness**  
**26 mm**

**Tightening torque**  
**100 Nm**



**COMPATIBLE VEHICLES**

## COMPATIBLE OE PART NUMBERS

1618862880 CITROËN

---

4246P2 CITROËN

---

4249H7 CITROËN

---

E169146 CITROËN

---

1325772080 FIAT

---

1331301080 FIAT

---

1340179080 FIAT

---

1340193080 FIAT

---

1325772080 LANCIA

---

1331301080 LANCIA

---

1340179080 LANCIA

---

1340193080 LANCIA

---

10008343 MG

---

10023289 MG

---

SDB000960 MG

---

10008343 MG (SAIC)

---

10023289 MG (SAIC)

---

SDB000960 MG (SAIC)

---

1618862880 PEUGEOT

---

4246P1 PEUGEOT

---

4246P2 PEUGEOT

---

4249H7 PEUGEOT

---

E169146 PEUGEOT

---

10008343 ROEWE (SAIC)

---

10023289 ROEWE (SAIC)

---

SDB000960 ROEWE (SAIC)

---