



BRAKE DISC PAINTED

09.8304.11

The 09.8304.11 painted brake disc is synonymous with reliability

The Brembo brake disc with special UV paint treatment guarantees superior corrosion resistance for the product, thanks to the protective coating on the outer edges and on the disc hub. The UV paint not only gives the disc a clean, shiny appearance but is also beneficial for the environment as the water-based UV paint treatment does not require the use of chemical solvents and is a low energy consumption process.

- ✓ OE-equivalent
- ✓ Brembo quality
- ✓ ECE-R90 certificate
- ✓ Safety
- ✓ High carbon
- ✓ Anti-corrosion
- ✓ PVT ventilation
- ✓ Fastening screws



Technical specifications



EAN code
8020584012062

Axle
Front

Diameter Ø
300 mm

Thickness (TH)
28 mm

Height (A)
47 mm

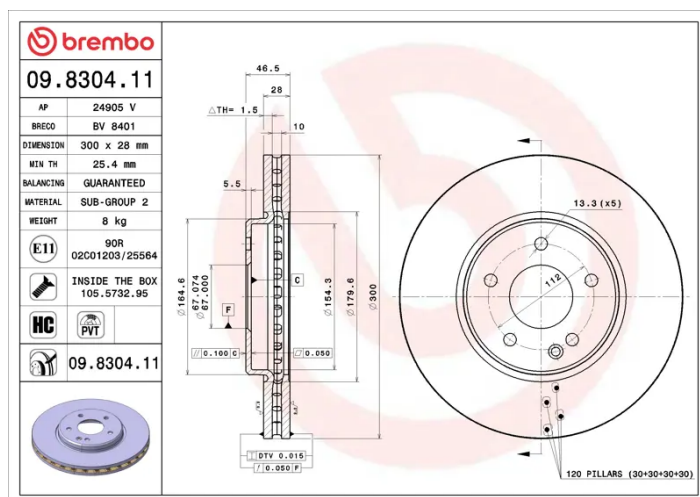
Number of holes (C)
5

Brake disc type
Ventilated

Centering (B)
67 mm

Min. thickness
25,4 mm

Tightening torque
110 Nm



COMPATIBLE OE PART NUMBERS

5098063AA	CHRYSLER
-----------	----------

5098064AA	CHRYSLER
-----------	----------

5098064AB	CHRYSLER
-----------	----------

5098064AC	CHRYSLER
-----------	----------

2104210212	MERCEDES-BENZ
------------	---------------

2104211212	MERCEDES-BENZ
------------	---------------

2104211512	MERCEDES-BENZ
------------	---------------

2104212212	MERCEDES-BENZ
------------	---------------

2104212512	MERCEDES-BENZ
------------	---------------

A2104211212	MERCEDES-BENZ
-------------	---------------

A2104211512	MERCEDES-BENZ
-------------	---------------

A2104212212	MERCEDES-BENZ
-------------	---------------

A2104212512	MERCEDES-BENZ
-------------	---------------