



# DRUM

## 14.4733.10

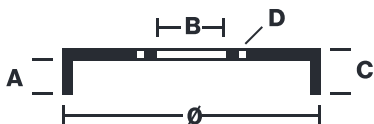
The 14.4733.10 drum is synonymous with reliability

Brembo has developed several design solutions for drum brakes which combine multiple materials to reduce the overall weight. The most popular range of lamellar graphite cast iron drums is supplemented by cast iron drums with a steel sprocket flange and aluminium drums, whereby only the inner part of the drum on which the shoes operate are made of lamellar cast iron, namely the brake band. Additionally drums with built-in bearing kit and hub are added to this range.



- ✓ OE-equivalent
- ✓ Brembo quality
- ✓ Safety
- ✓ Durability

### Technical specifications



EAN code  
8020584473313

Axle  
Rear

Diameter  
254 mm

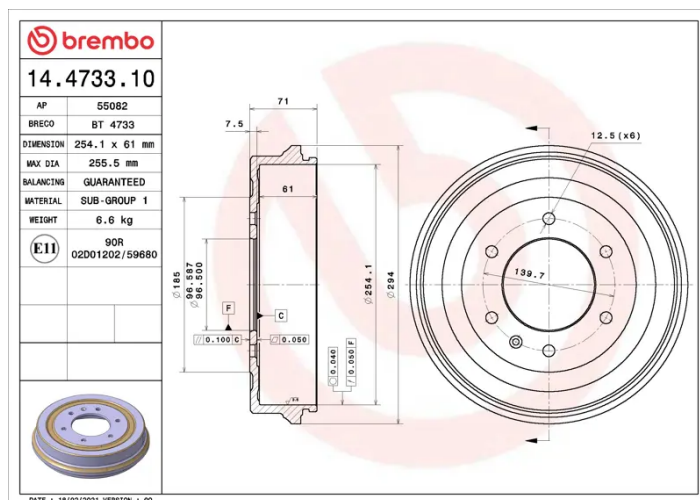
Width  
61 mm

Height  
71

Number of holes  
6

Centering  
96,5 mm

Max diameter  
255,5 mm



**COMPATIBLE VEHICLES**

## COMPATIBLE OE PART NUMBERS

94226829            BEDFORD

---

94226829            CHEVROLET

---

E3FZ1107B           CHEVROLET

---

8942268291           ISUZU

---

9030906160           ISUZU

---

94226829            ISUZU

---

568062              OPEL

---