



DRUM

14.5397.10

The 14.5397.10 drum is synonymous with reliability

Brembo has developed several design solutions for drum brakes which combine multiple materials to reduce the overall weight. The most popular range of lamellar graphite cast iron drums is supplemented by cast iron drums with a steel sprocket flange and aluminium drums, whereby only the inner part of the drum on which the shoes operate are made of lamellar cast iron, namely the brake band. Additionally drums with built-in bearing kit and hub are added to this range.

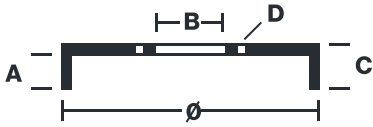


- ✓ OE-equivalent
- ✓ Brembo quality
- ✓ Safety
- ✓ Durability

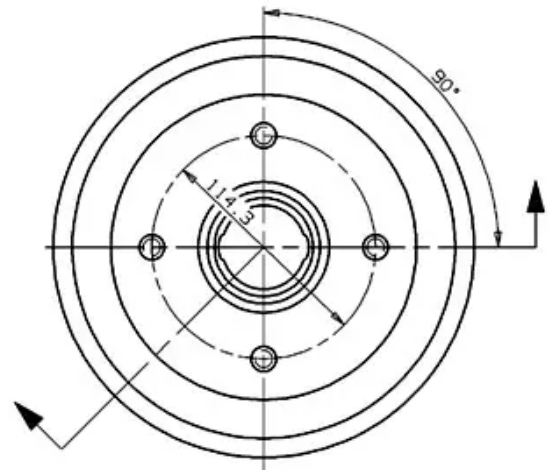
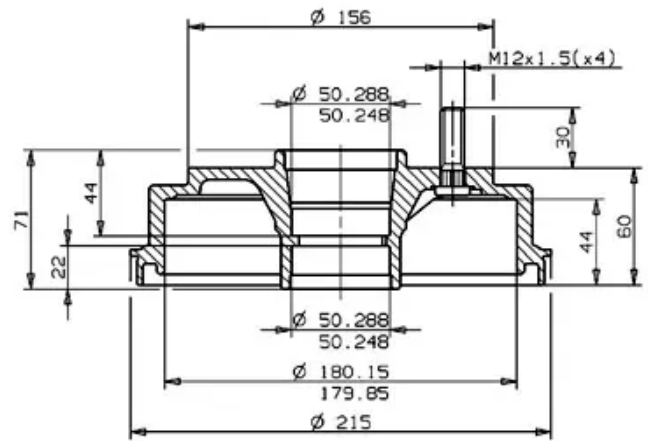
Technical specifications



MITSUBISHI P.N.: MB 242004 | 14.5397.10
 CUSTOMER P.N.: | Date 02.02.95



EAN code	Axle	Diameter
8020584539712	Rear	180 mm
Width	Height	Number of holes
44 mm	69	4
Centering	Max diameter	
50,3 mm	182 mm	



Max. DIA. 182 mm
 Weight 4.2 Kg

COMPATIBLE VEHICLES

COMPATIBLE OE PART NUMBERS

MB242004	DODGE
MB242007	DODGE
MB242004	MITSUBISHI
MB242007	MITSUBISHI